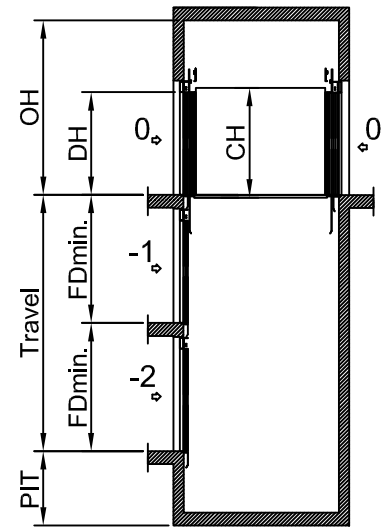
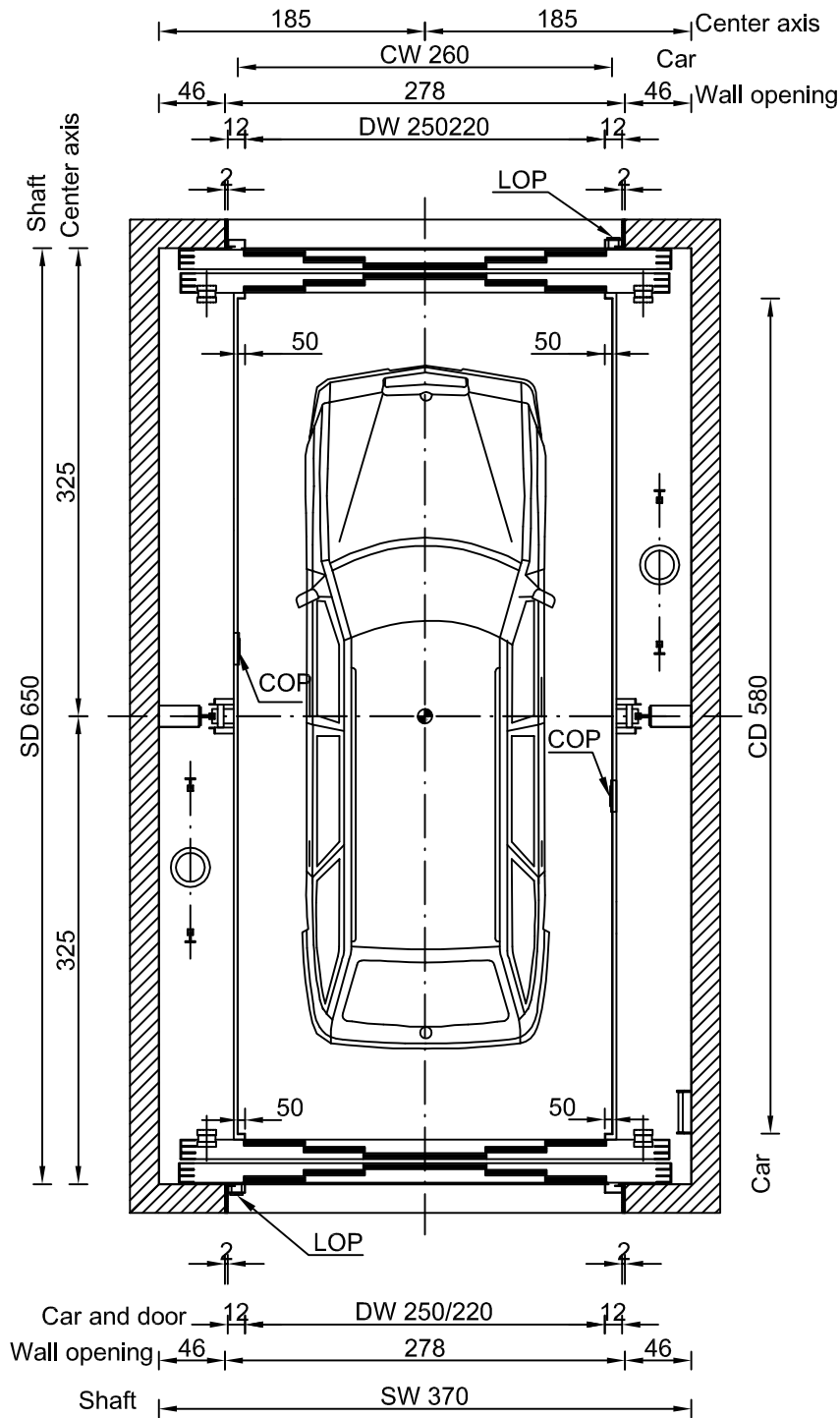


Well

All dimensions may not exceed perpendicular tolerance of ± 2 cm



OH = Overhead
 CW = Car width
 CD = Car depth
 CH = Car height
 DW = Door width
 DH = Door height
 FD = Floor distance
 COP = Car Operating Panel
 LOP = Landing Operating Panel

HYDRAULIC MOTOR-ROOMLESS OPTIONS:

The space saving design cleverly houses the motor in a cabinet that can either be located on or recessed into an adjacent wall.

If space is limited beside the shaft the cabinet can be located up to 10 meters away.

Max. Travel height 320 cm.

Speed: 0,31 m/s	
PIT: 150 cm	
OH: 380 cm	
CW: 260 cm	DW: 250 cm
CD: 580 cm	DH: 220 cm
CH: 240 cm	
FDmin.: 270 (CH+50 cm)	

TYPICAL POWER REQUIREMENTS		Type: DIRECT 4000 kg CT25	Drawn By: M. Kupec	
Motor Power (k.W.)	37 kW		Date: 19.08.2008	
Running current	81 A	HYDRAULIC	Revision: 00	Page: 141
Starting current	121,5 A		A4 1:30	

Dimensions in cm.