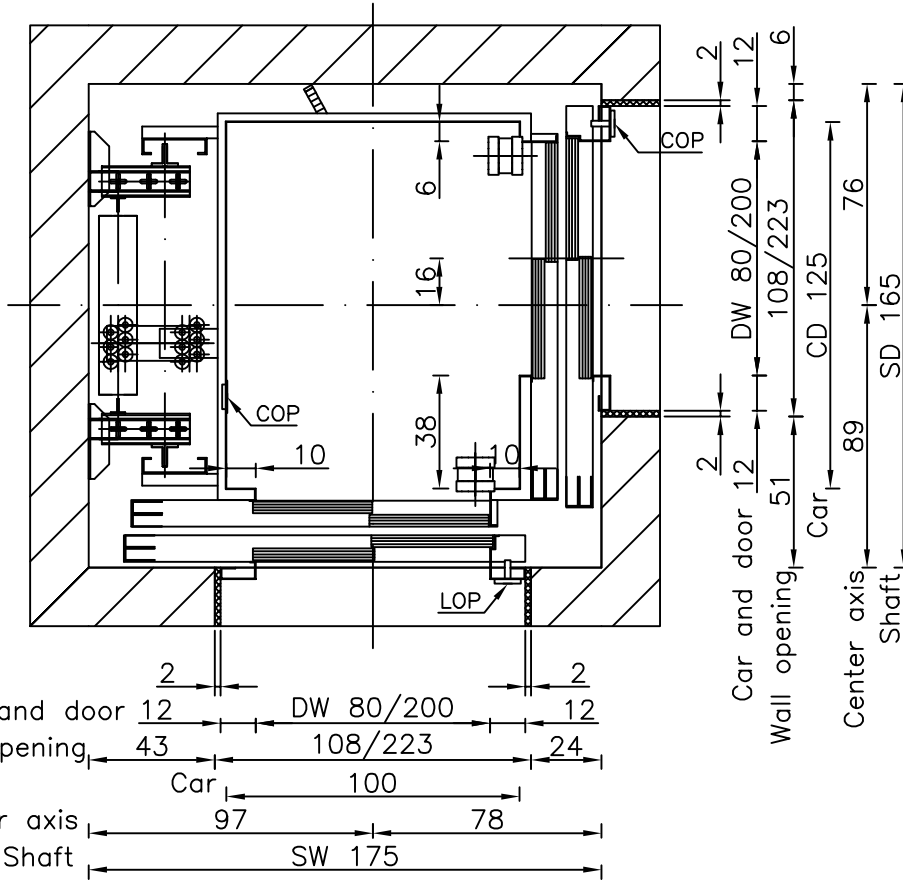
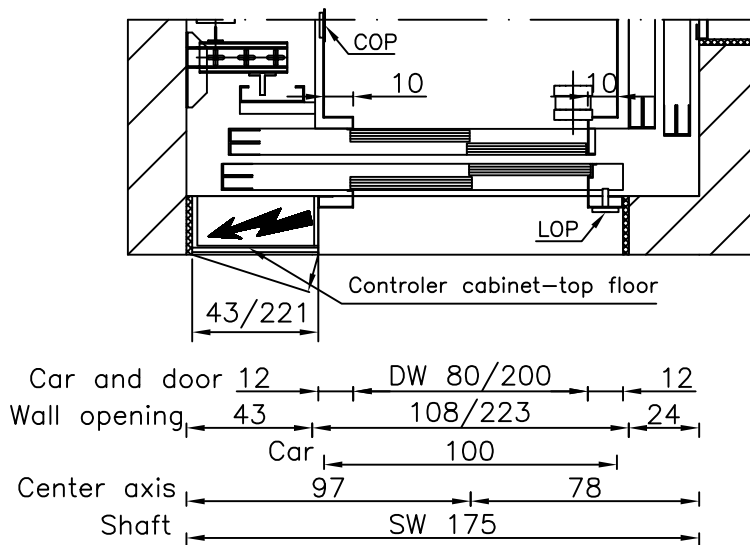
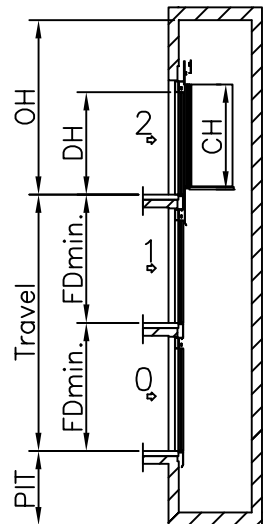


# Well

All dimensions may not exceed perpendicular tolerance of  $\pm 2$  cm



- OH = Overhead
- CW = Car width
- CD = Car depth
- CH = Car height
- DW = Door width
- DH = Door height
- FD = Floor distance
- COP = Car Operating Panel
- LOP = Landing Operating Panel



Speed: 1 m/s	
PIT: 120 cm	
OH: 360 cm	
CW: 100 cm	DW: 80 cm
CD: 125 cm	DH: 200 cm
CH: 210 cm	
FDmin.: 250 (CH+50 cm)	

TYPICAL POWER REQUIREMENTS	
Motor Power (k.W.)	2,8kW
Running current	10,8A
Starting current	16 A
Overload current	20,8A

Type: Gearless MRL 480 kg TL8-TL8

Drawn By: Tomi Irgotič  
Date: 05.02.2007



ELECTRIC

A4  
1:25

Revision: 00

Page: 53

Dimensions in cm.