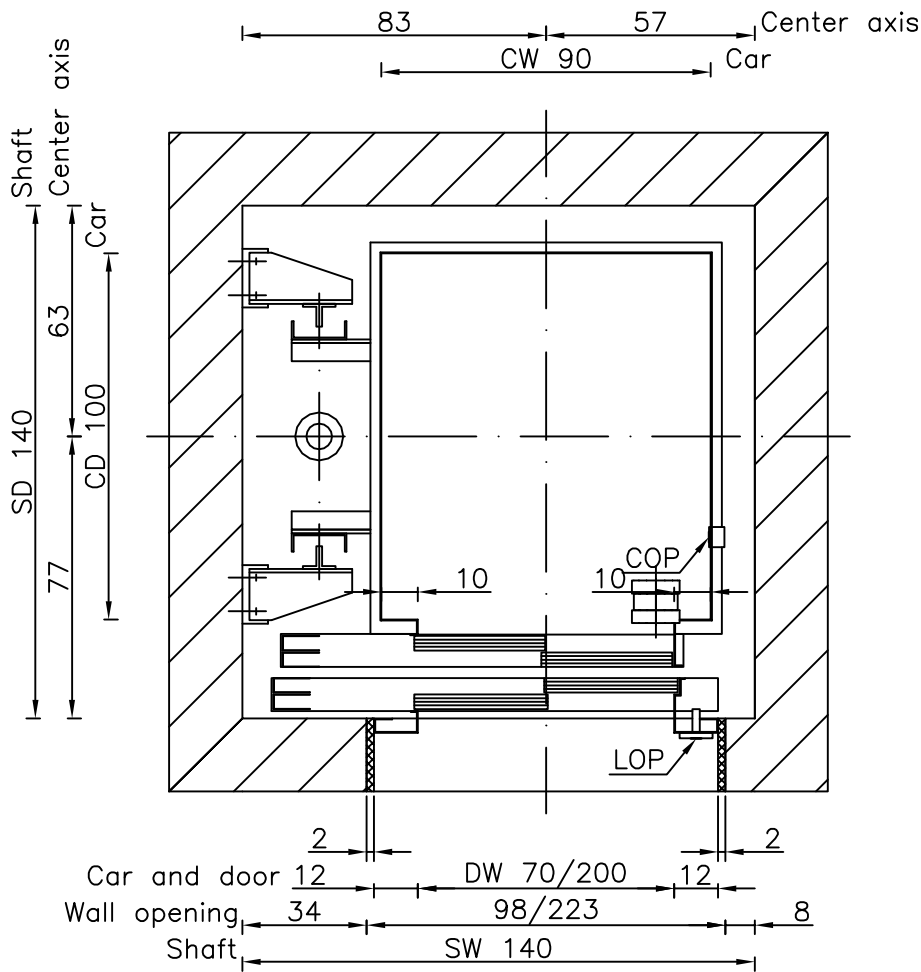
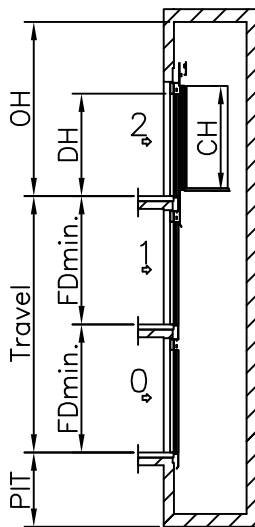


Well

All dimensions may not exceed perpendicular tolerance of ± 2 cm



OH = Overhead
 CW = Car width
 CD = Car depth
 CH = Car height
 DW = Door width
 DH = Door height
 FD = Floor distance
 COP = Car Operating Panel
 LOP = Landing Operating Panel



HYDRAULIC MOTOR-ROOMLESS OPTIONS:

The space saving design cleverly houses the motor in a cabinet that can either be located on or recessed into an adjacent wall.

If space is limited beside the shaft the cabinet can be located up to 10 meters away.

Max. Travel height 320 cm.

HYDRAULIC MASCHINE ROOM REQUIREMENTS:

Maschine room min. dimension: 150 x 165

TYPICAL POWER REQUIREMENTS	
Motor Power (k.W.)	8 kW
Running current	15,4A
Starting current	23 A
Overload current	30 A

Speed: 0,6 m/s	
PIT: 120 cm	
OH: 320 cm	
CW: 90 cm	DW: 70 cm
CD: 100 cm	DH: 200 cm
CH: 210 cm	
FDmin.: 250 (CH+50 cm)	

Dimensions in cm.

Type:	DIRECT 320 kg TL7		Drawn By: Tomi Irgolič	
			Date: 19.10.2006	
	HYDRAULIC	A4 1:20	Revision: 00	Page: 61