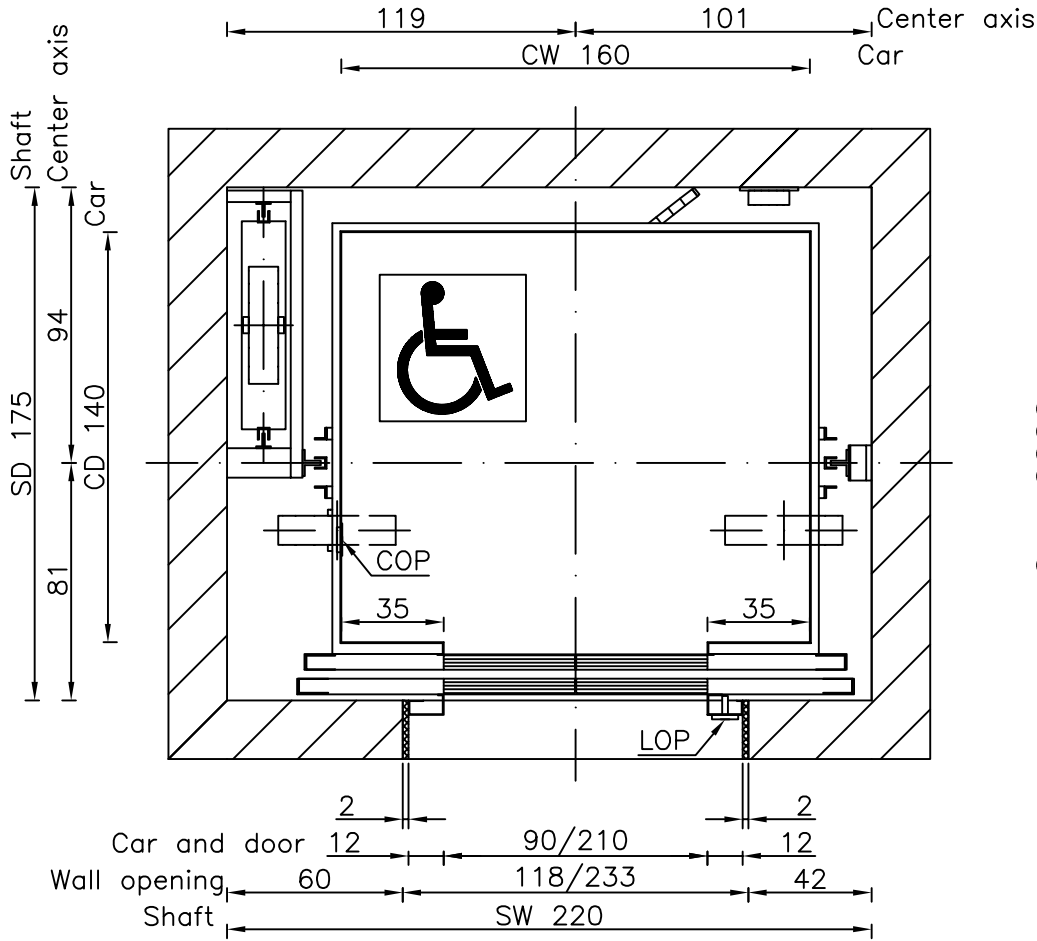
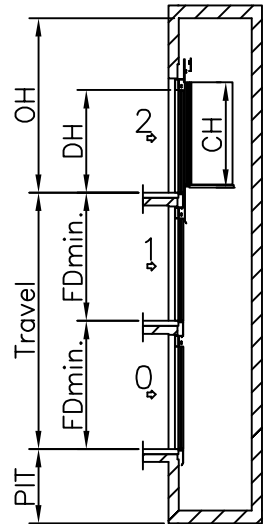
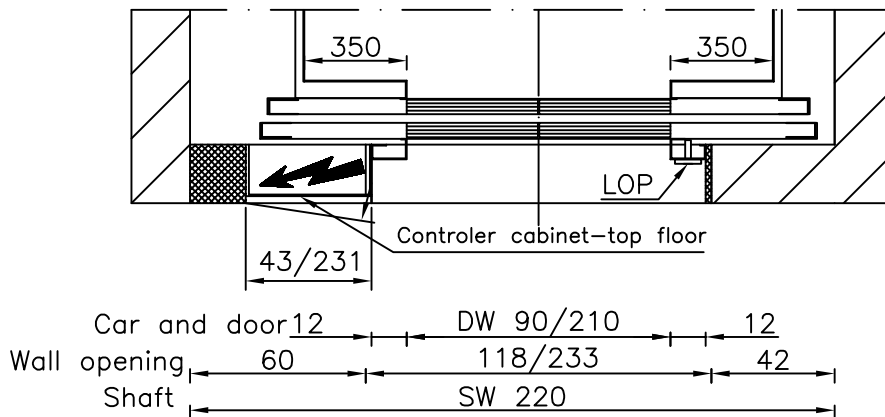


Well

All dimensions may not exceed perpendicular tolerance of ± 2 cm



OH = Overhead
 CW = Car width
 CD = Car depth
 CH = Car height
 DW = Door width
 DH = Door height
 FD = Floor distance
 COP = Car Operating Panel
 LOP = Landing Operating Panel



Speed: 1 m/s	
PIT: 140 cm	
OH: 370 cm	
CW: 160 cm	DW: 90 cm
CD: 140 cm	DH: 210 cm
CH: 220 cm	
FDmin.: 260 (CH+50 cm)	

Dimensions in cm.

TYPICAL POWER REQUIREMENTS	
Motor Power (k.W.)	6 kW
Running current	21,7 A
Starting current	30,9 A

Type:	GEARLESS MRL 2:1 1000 kg TL9		Drawn By:	Tomi Irgolič	
	ELECTRIC		Date:		
			Revision:	00	Page:
					69