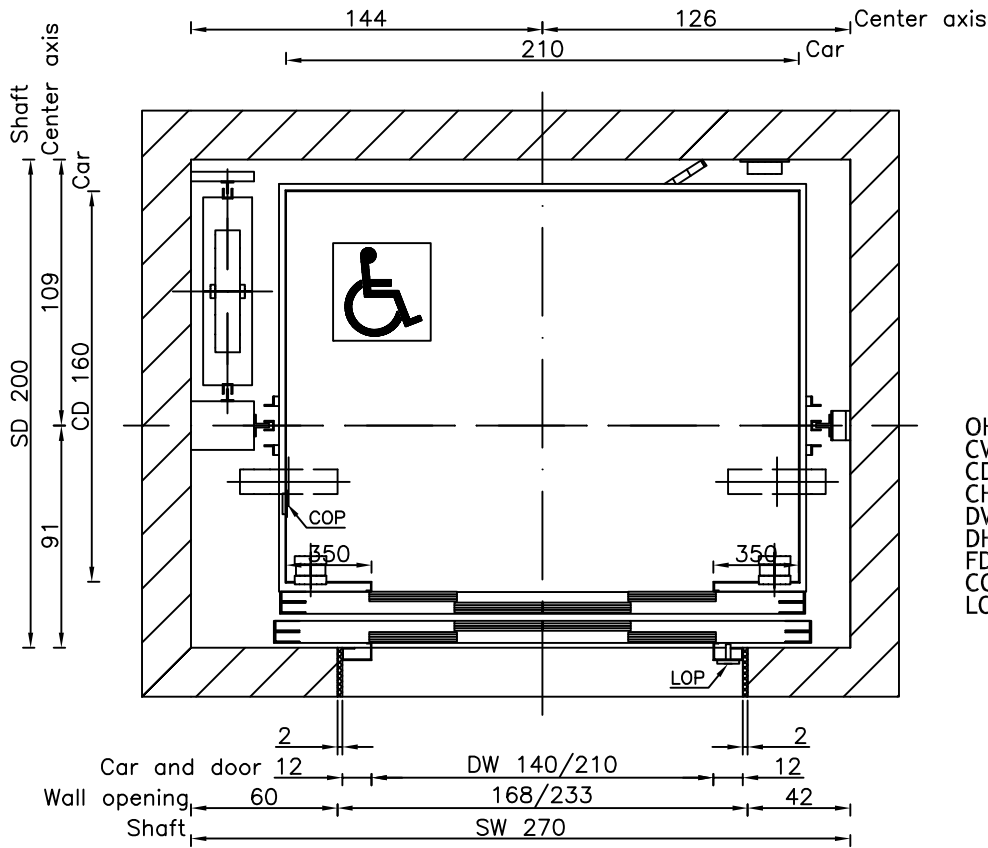
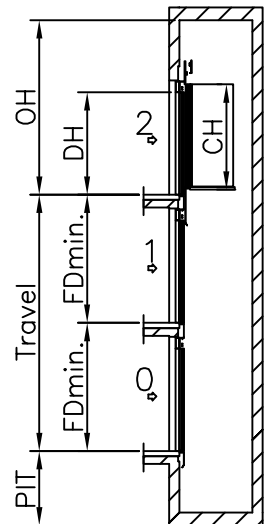
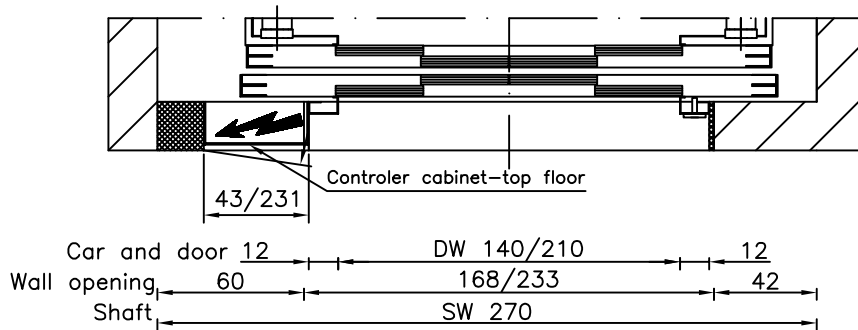


Well

All dimensions may not exceed perpendicular tolerance of ± 2 cm



OH = Overhead
 CW = Car width
 CD = Car depth
 CH = Car height
 DW = Door width
 DH = Door height
 FD = Floor distance
 COP= Car Operating Panel
 LOP= Landing Operating Panel



Speed: 1 m/s	
PIT: 150 cm	
OH: 400 cm	
CW: 210 cm	DW: 140 cm
CD: 160 cm	DH: 210 cm
CH: 220 cm	
FDmin.: 260 (CH+50 cm)	

Dimensions in cm.

TYPICAL POWER REQUIREMENTS	
Motor Power (k.W.)	9,6 kW
Running current	34,8 A
Starting current	57 A

Type:	GEARLESS MRL 2:1 1600 kg CT14		Drawn By:	Tomi Irgolič	SEC
	ELECTRIC		Date:		
			Revision:	00	Page:
					79