

STRUCTURAL CALCULATIONS OF PARKING STRUCTURE

A) Loads

Dead Loads	: Program Calculated (SAP2000)
Live Loads	: 30 kN / per level
Wind Loads	: 1.32 kN/m ² for all elevations
Earthquake Loads	
	Overstrength Factor (R) : 4
	Soil Profile Type : SE
	Seismic Zone Factor : 0.40
	Seismic Source Type : A (Na = 1.5, Nv = 2)
	Importance Factor : 1.0

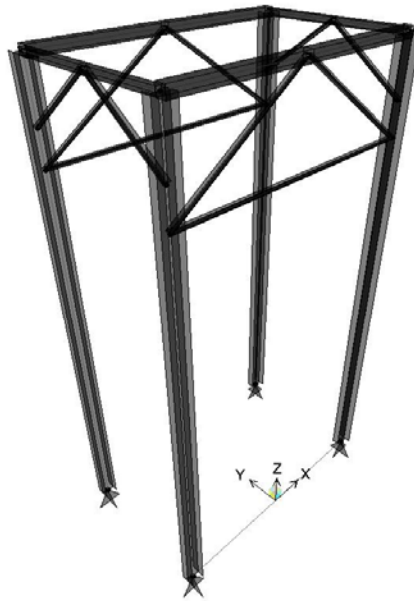
B) Structural Materials

Structural materials	: St-44 for columns
	: St-37 for brace elements
	: St-37 for plate and built-up sections
	: St-42 for anchor bolts
	: 8.8 for bolts in bolted connections
	: E70XX electrode for weldings
	: C25 Concrete for basement (fc = 25 MPa)

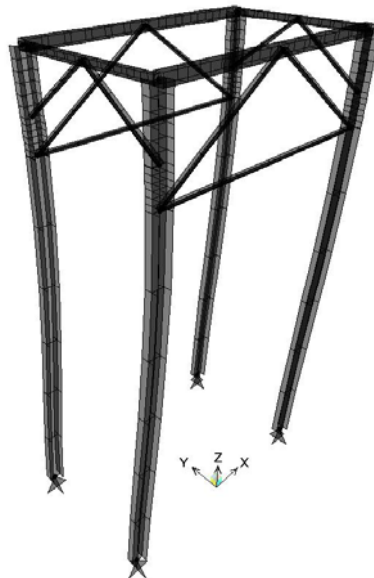
C) Structural Analysis

Structural analysis has been carried out by using SAP2000 (Structural Analysis Program) software. All of the loads given above were considered in the design. Earthquake loads are derived from UBC-97 (Uniform Building Code) Code where seismic events are in concern. Wind loads have been considered where wind loads are in concern. As neither the EQ loads nor the wind loads are governing factors for the design, vertical loads defined above are the design loads. In spite of this fact, EQ and wind loads have been taken into account to check the stability of the structure. A small truss system has been used to control the lateral movement of the structure and prevent it from overturning in case of any lateral loads. Columns have been assumed to be pinned at the base and rigid at the top. The rigidity of the truss system is enough to create a two sided bending moment diagram in the columns in any lateral loadings. (Wind Loads have been selected in accordance with ASCE-7 / American Society of Civil Engineers)

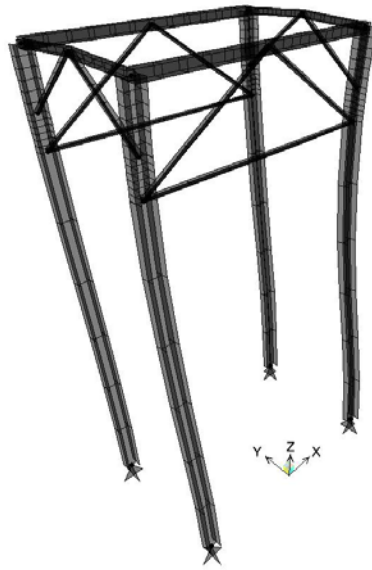
D) Parking Strucutre With 4 Story



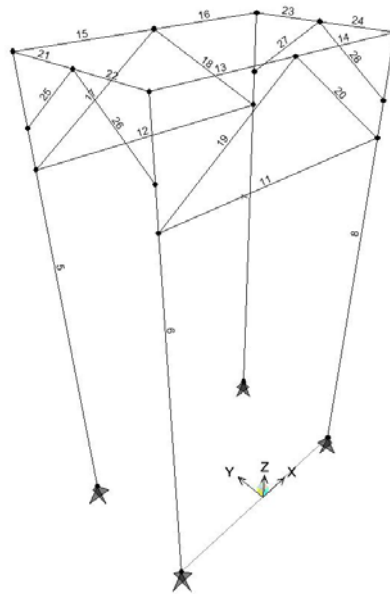
3D Computer Model of Parking Strucutre



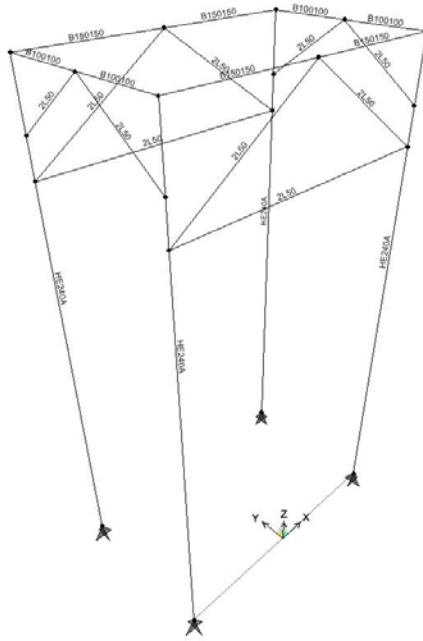
Deformed Shape of the Structure Due to Eq_{x-x} Loading ($\Delta=9mm$)



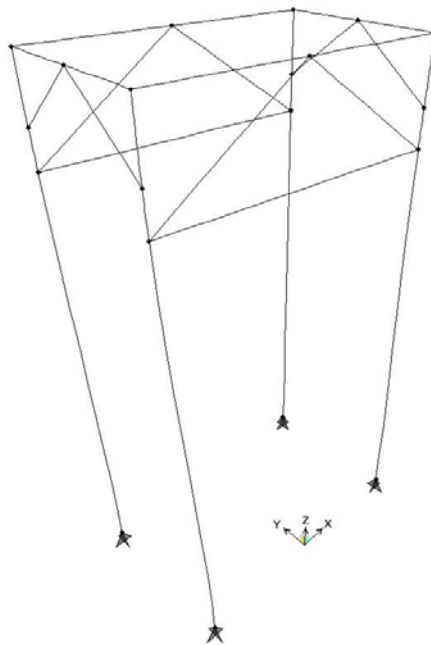
Deformed Shape of the Structure Due to $E_{q_{x-x}}$ Loading ($\Delta=13\text{mm}$)



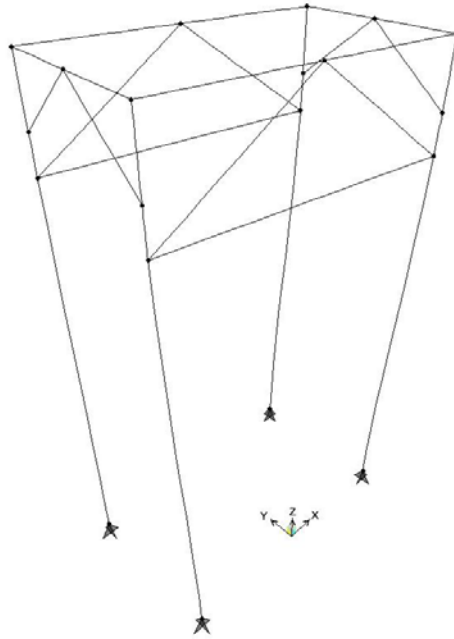
Frame Labels



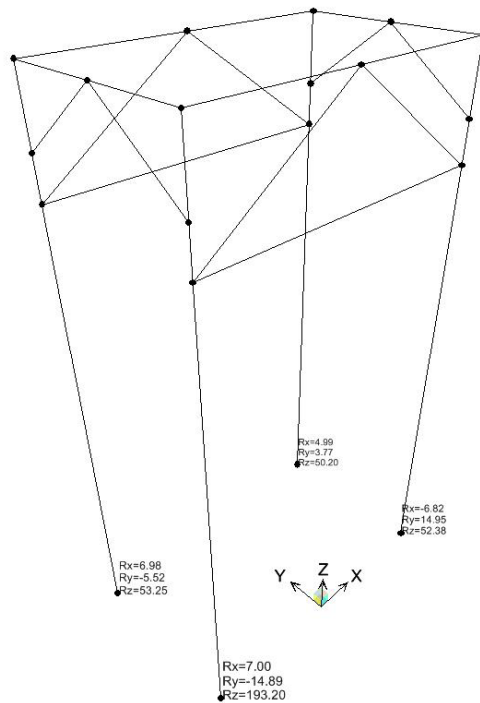
Frame Sections Used in the Model



1th Vibration Mode ($T_1=1.18\text{sec}$)



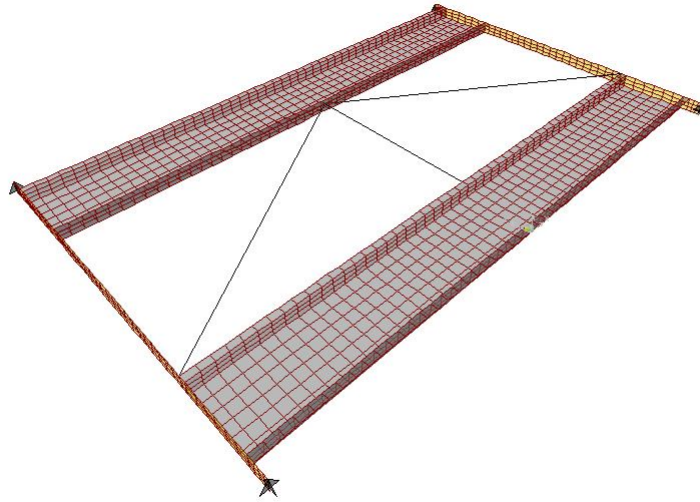
2th Vibration Mode ($T_2=1.08\text{sec}$)



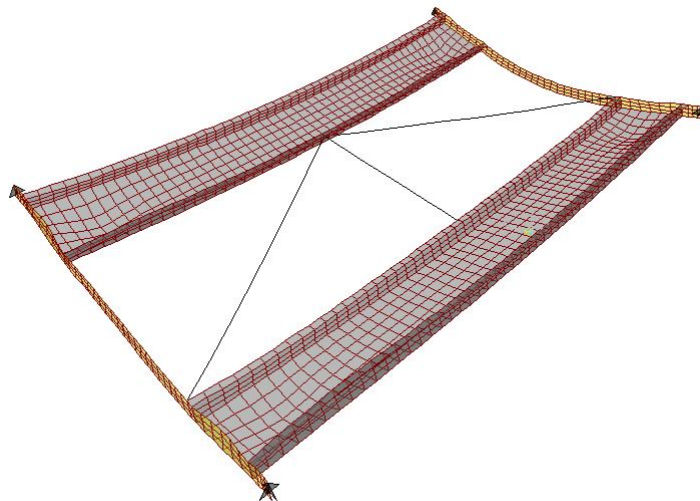
Base Reactions

Plate Analysis

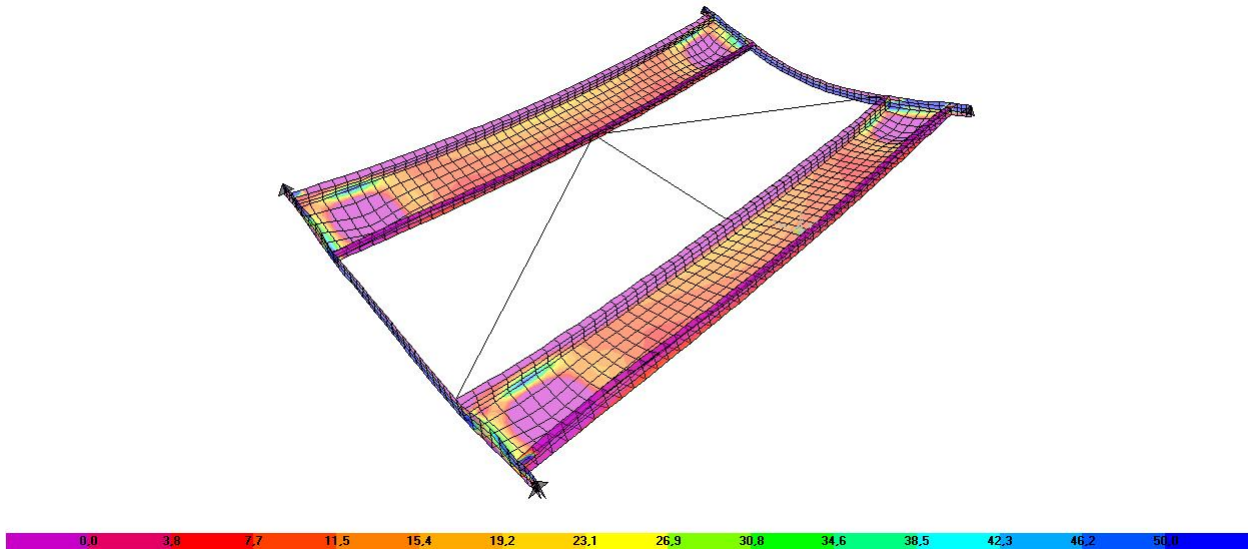
Plate analysis has been carried out by using FEA. The model was created by means of Sap2000 as given below. Plate thickness calculation was performed by ASD method.



3D Finite Element Model of Plate



Deformed Shape of Plate Element



Stress Distribution of Plate Element

TABLE: Element Forces - Frames

Frame	Station	OutputCase	P	V2	V3	T	M2	M3
Text	m	Text	KN	KN	KN	KN-m	KN-m	KN-m
5	0	DEAD	-37.40	-0.10	0.08	0.00	0.06	-0.29
5	4.025	DEAD	-35.02	-0.10	0.08	0.00	-0.27	0.10
5	6.6	DEAD	-33.50	-0.10	0.08	0.00	-0.48	0.35
5	6.6	DEAD	-32.68	0.24	0.09	0.00	-0.48	0.35
5	7.15	DEAD	-32.35	0.24	0.09	0.00	-0.53	0.22
5	7.15	DEAD	-31.75	0.24	-0.67	0.00	-0.53	0.22
5	8.05	DEAD	-31.22	0.24	-0.67	0.00	0.07	0.01
5	0	GQ	-37.40	-0.10	0.08	0.00	0.06	-0.29
5	4.025	GQ	-35.02	-0.10	0.08	0.00	-0.27	0.10
5	6.6	GQ	-33.50	-0.10	0.08	0.00	-0.48	0.35
5	6.6	GQ	-32.68	0.24	0.09	0.00	-0.48	0.35
5	7.15	GQ	-32.35	0.24	0.09	0.00	-0.53	0.22
5	7.15	GQ	-31.75	0.24	-0.67	0.00	-0.53	0.22
5	8.05	GQ	-31.22	0.24	-0.67	0.00	0.07	0.01
5	0	GQEX	-27.01	4.81	0.99	0.00	3.26	14.51
5	4.025	GQEX	-24.63	4.81	0.99	0.00	0.18	5.04
5	6.6	GQEX	-23.10	4.81	0.99	0.00	2.31	17.91
5	6.6	GQEX	-29.44	12.36	0.97	0.09	2.29	17.91
5	7.15	GQEX	-29.12	12.36	0.97	0.09	2.73	11.11
5	7.15	GQEX	-31.73	12.41	2.95	0.03	2.73	11.17
5	8.05	GQEX	-31.20	12.41	2.95	0.03	0.08	0.02
5	0	GQEX	-47.79	-5.00	-0.83	0.00	-3.14	-15.08
5	4.025	GQEX	-45.41	-5.00	-0.83	0.00	-0.72	-4.83
5	6.6	GQEX	-43.89	-5.00	-0.83	0.00	-3.27	-17.20
5	6.6	GQEX	-35.92	-11.88	-0.80	-0.08	-3.26	-17.20
5	7.15	GQEX	-35.59	-11.88	-0.80	-0.08	-3.79	-10.67
5	7.15	GQEX	-31.77	-11.93	-4.29	-0.03	-3.79	-10.73
5	8.05	GQEX	-31.24	-11.93	-4.29	-0.03	0.06	-0.01
5	0	GQEY	-21.54	2.16	5.52	0.00	19.25	6.52
5	4.025	GQEY	-19.17	2.16	5.52	0.00	2.44	2.39
5	6.6	GQEY	-17.64	2.16	5.52	0.00	16.23	8.46
5	6.6	GQEY	-13.19	5.84	5.41	0.08	16.16	8.46
5	7.15	GQEY	-12.87	5.84	5.41	0.08	19.04	5.24
5	7.15	GQEY	-31.72	5.88	21.10	0.02	19.04	5.31
5	8.05	GQEY	-31.19	5.88	21.10	0.02	0.09	0.02
5	0	GQEY	-53.25	-2.36	-5.36	0.00	-19.13	-7.09
5	4.025	GQEY	-50.87	-2.36	-5.36	0.00	-2.98	-2.19
5	6.6	GQEY	-49.35	-2.36	-5.36	0.00	-17.20	-7.76
5	6.6	GQEY	-52.16	-5.37	-5.24	-0.07	-17.13	-7.76
5	7.15	GQEY	-51.84	-5.37	-5.24	-0.07	-20.10	-4.80
5	7.15	GQEY	-31.79	-5.41	-22.44	-0.02	-20.10	-4.87
5	8.05	GQEY	-31.26	-5.41	-22.44	-0.02	0.05	0.00
5	0	GQWX1	-32.96	6.79	0.08	0.00	0.06	11.51
5	4.025	GQWX1	-30.58	1.85	0.08	0.00	-0.27	-5.88
5	6.6	GQWX1	-29.05	-1.31	0.08	0.00	-0.48	-6.58
5	6.6	GQWX1	-32.68	-3.65	0.08	0.00	-0.49	-6.58
5	7.15	GQWX1	-32.35	-4.33	0.08	0.00	-0.53	-4.39
5	7.15	GQWX1	-31.75	-4.32	-0.67	0.00	-0.53	-4.38
5	8.05	GQWX1	-31.22	-5.43	-0.67	0.00	0.07	0.00
5	0	GQWX2	-41.84	-6.98	0.08	0.00	0.06	-12.08
5	4.025	GQWX2	-39.46	-2.05	0.08	0.00	-0.27	6.08
5	6.6	GQWX2	-37.94	1.11	0.08	0.00	-0.48	7.28
5	6.6	GQWX2	-32.68	4.13	0.09	0.00	-0.48	7.28
5	7.15	GQWX2	-32.35	4.81	0.09	0.00	-0.53	4.83
5	7.15	GQWX2	-31.75	4.80	-0.67	0.00	-0.53	4.82
5	8.05	GQWX2	-31.22	5.90	-0.67	0.00	0.07	0.01
5	0	GQWY1	-49.30	-0.10	3.76	0.00	14.81	-0.29

5	4.025	GQWY1	-46.92	-0.10	3.76	0.00	-0.33	0.10
5	6.6	GQWY1	-45.40	-0.10	3.76	0.00	-10.02	0.35
5	6.6	GQWY1	-44.58	0.24	3.77	0.02	-10.00	0.35
5	7.15	GQWY1	-44.25	0.24	3.77	0.02	-12.07	0.22
5	7.15	GQWY1	-31.75	0.23	-13.51	0.00	-12.07	0.21
5	8.05	GQWY1	-31.22	0.23	-13.51	0.00	0.09	0.00
5	0	GQWY2	-25.50	-0.10	-3.60	0.00	-14.69	-0.29
5	4.025	GQWY2	-23.12	-0.10	-3.60	0.00	-0.21	0.10
5	6.6	GQWY2	-21.60	-0.10	-3.60	0.00	9.06	0.35
5	6.6	GQWY2	-20.78	0.23	-3.60	-0.01	9.03	0.35
5	7.15	GQWY2	-20.45	0.23	-3.60	-0.01	11.01	0.22
5	7.15	GQWY2	-31.75	0.25	12.18	0.00	11.01	0.23
5	8.05	GQWY2	-31.22	0.25	12.18	0.00	0.05	0.01
6	0	DEAD	-176.77	-0.12	0.02	0.00	-0.04	-0.27
6	4.025	DEAD	-174.39	-0.12	0.02	0.00	-0.14	0.20
6	6.6	DEAD	-172.87	-0.12	0.02	0.00	-0.20	0.50
6	6.6	DEAD	-172.62	0.35	0.03	0.00	-0.20	0.50
6	7.15	DEAD	-172.29	0.35	0.03	0.00	-0.21	0.31
6	7.15	DEAD	-172.48	0.35	-0.31	0.00	-0.21	0.31
6	8.05	DEAD	-171.95	0.35	-0.31	0.00	0.07	-0.01
6	0	GQ	-176.77	-0.12	0.02	0.00	-0.04	-0.27
6	4.025	GQ	-174.39	-0.12	0.02	0.00	-0.14	0.20
6	6.6	GQ	-172.87	-0.12	0.02	0.00	-0.20	0.50
6	6.6	GQ	-172.62	0.35	0.03	0.00	-0.20	0.50
6	7.15	GQ	-172.29	0.35	0.03	0.00	-0.21	0.31
6	7.15	GQ	-172.48	0.35	-0.31	0.00	-0.21	0.31
6	8.05	GQ	-171.95	0.35	-0.31	0.00	0.07	-0.01
6	0	GQEX	-160.34	6.38	0.93	0.00	3.16	19.36
6	4.025	GQEX	-157.96	6.38	0.93	0.00	0.31	6.71
6	6.6	GQEX	-156.44	6.38	0.93	0.00	2.59	23.73
6	6.6	GQEX	-169.36	16.31	0.91	0.10	2.57	23.73
6	7.15	GQEX	-169.03	16.31	0.91	0.10	3.04	14.76
6	7.15	GQEX	-172.35	16.31	3.31	0.04	3.04	14.69
6	8.05	GQEX	-171.82	16.31	3.31	0.04	0.08	0.01
6	0	GQEX	-193.20	-6.61	-0.88	0.00	-3.25	-19.91
6	4.025	GQEX	-190.82	-6.61	-0.88	0.00	-0.59	-6.31
6	6.6	GQEX	-189.30	-6.61	-0.88	0.00	-2.98	-22.73
6	6.6	GQEX	-175.88	-15.62	-0.86	-0.10	-2.97	-22.73
6	7.15	GQEX	-175.55	-15.62	-0.86	-0.10	-3.47	-14.15
6	7.15	GQEX	-172.61	-15.62	-3.93	-0.04	-3.47	-14.07
6	8.05	GQEX	-172.07	-15.62	-3.93	-0.04	0.06	-0.02
6	0	GQEY	-161.66	3.66	5.47	0.00	19.15	11.14
6	4.025	GQEY	-159.29	3.66	5.47	0.00	2.57	4.00
6	6.6	GQEY	-157.76	3.66	5.47	0.00	16.52	14.04
6	6.6	GQEY	-153.12	9.68	5.35	0.08	16.45	14.04
6	7.15	GQEY	-152.79	9.68	5.35	0.08	19.36	8.72
6	7.15	GQEY	-172.38	9.71	21.45	0.02	19.36	8.74
6	8.05	GQEY	-171.84	9.71	21.45	0.02	0.09	0.01
6	0	GQEY	-191.88	-3.90	-5.42	0.00	-19.24	-11.68
6	4.025	GQEY	-189.50	-3.90	-5.42	0.00	-2.84	-3.61
6	6.6	GQEY	-187.98	-3.90	-5.42	0.00	-16.91	-13.04
6	6.6	GQEY	-192.12	-8.99	-5.30	-0.08	-16.84	-13.04
6	7.15	GQEY	-191.79	-8.99	-5.30	-0.08	-19.78	-8.10
6	7.15	GQEY	-172.58	-9.01	-22.08	-0.02	-19.78	-8.13
6	8.05	GQEY	-172.05	-9.01	-22.08	-0.02	0.05	-0.02
6	0	GQWX1	-172.33	6.77	0.02	0.00	-0.04	11.52
6	4.025	GQWX1	-169.95	1.83	0.02	0.00	-0.14	-5.78
6	6.6	GQWX1	-168.43	-1.33	0.02	0.00	-0.20	-6.43
6	6.6	GQWX1	-172.62	-3.55	0.03	0.00	-0.20	-6.43
6	7.15	GQWX1	-172.29	-4.22	0.03	0.00	-0.21	-4.30

6	7.15	GQWX1	-172.48	-4.21	-0.31	0.00	-0.21	-4.30
6	8.05	GQWX1	-171.95	-5.32	-0.31	0.00	0.07	-0.01
6	0	GQWX2	-181.21	-7.00	0.02	0.00	-0.04	-12.06
6	4.025	GQWX2	-178.83	-2.07	0.02	0.00	-0.14	6.18
6	6.6	GQWX2	-177.31	1.09	0.02	0.00	-0.20	7.43
6	6.6	GQWX2	-172.62	4.24	0.02	0.00	-0.20	7.43
6	7.15	GQWX2	-172.29	4.91	0.02	0.00	-0.21	4.91
6	7.15	GQWX2	-172.48	4.91	-0.32	0.00	-0.21	4.91
6	8.05	GQWX2	-171.95	6.01	-0.32	0.00	0.07	0.00
6	0	GQWY1	-164.87	-0.12	14.90	0.00	30.13	-0.27
6	4.025	GQWY1	-162.49	-0.12	5.62	0.00	-11.16	0.20
6	6.6	GQWY1	-160.97	-0.12	-0.32	0.00	-17.99	0.50
6	6.6	GQWY1	-160.72	0.34	-0.31	0.03	-17.94	0.50
6	7.15	GQWY1	-160.39	0.34	-1.57	0.03	-17.43	0.31
6	7.15	GQWY1	-172.48	0.37	-18.44	0.01	-17.43	0.32
6	8.05	GQWY1	-171.95	0.37	-20.51	0.01	0.10	-0.01
6	0	GQWY2	-188.67	-0.12	-14.85	0.00	-30.21	-0.27
6	4.025	GQWY2	-186.29	-0.12	-5.57	0.00	10.88	0.20
6	6.6	GQWY2	-184.77	-0.12	0.36	0.00	17.59	0.50
6	6.6	GQWY2	-184.52	0.35	0.36	-0.03	17.55	0.50
6	7.15	GQWY2	-184.19	0.35	1.62	-0.03	17.00	0.31
6	7.15	GQWY2	-172.48	0.33	17.81	0.00	17.00	0.29
6	8.05	GQWY2	-171.95	0.33	19.89	0.00	0.04	0.00
7	0	DEAD	-36.30	-0.08	-0.02	0.00	-0.14	-0.26
7	4.025	DEAD	-33.92	-0.08	-0.02	0.00	-0.04	0.08
7	6.6	DEAD	-32.40	-0.08	-0.02	0.00	0.02	0.29
7	6.6	DEAD	-32.03	0.24	-0.03	0.00	0.02	0.29
7	7.15	DEAD	-31.71	0.24	-0.03	0.00	0.03	0.16
7	7.15	DEAD	-31.75	0.23	0.11	0.00	0.03	0.16
7	8.05	DEAD	-31.22	0.23	0.11	0.00	-0.07	-0.04
7	0	GQ	-36.30	-0.08	-0.02	0.00	-0.14	-0.26
7	4.025	GQ	-33.92	-0.08	-0.02	0.00	-0.04	0.08
7	6.6	GQ	-32.40	-0.08	-0.02	0.00	0.02	0.29
7	6.6	GQ	-32.03	0.24	-0.03	0.00	0.02	0.29
7	7.15	GQ	-31.71	0.24	-0.03	0.00	0.03	0.16
7	7.15	GQ	-31.75	0.23	0.11	0.00	0.03	0.16
7	8.05	GQ	-31.22	0.23	0.11	0.00	-0.07	-0.04
7	0	GQEX	-22.40	4.82	3.72	0.00	13.06	14.53
7	4.025	GQEX	-20.02	4.82	3.72	0.00	1.84	5.01
7	6.6	GQEX	-18.50	4.82	3.72	0.00	11.54	17.85
7	6.6	GQEX	-18.84	12.36	3.45	0.09	11.49	17.85
7	7.15	GQEX	-18.52	12.36	3.45	0.09	13.42	11.05
7	7.15	GQEX	-31.73	12.40	15.00	0.03	13.42	11.12
7	8.05	GQEX	-31.20	12.40	15.00	0.03	-0.05	-0.03
7	0	GQEX	-50.20	-4.99	-3.77	0.00	-13.33	-15.06
7	4.025	GQEX	-47.82	-4.99	-3.77	0.00	-1.92	-4.86
7	6.6	GQEX	-46.30	-4.99	-3.77	0.00	-11.51	-17.26
7	6.6	GQEX	-45.22	-11.87	-3.51	-0.09	-11.45	-17.26
7	7.15	GQEX	-44.90	-11.87	-3.51	-0.09	-13.35	-10.73
7	7.15	GQEX	-31.78	-11.95	-14.78	-0.03	-13.35	-10.80
7	8.05	GQEX	-31.24	-11.95	-14.78	-0.03	-0.08	-0.05
7	0	GQEY	-25.10	2.18	2.32	0.00	8.12	6.54
7	4.025	GQEY	-22.72	2.18	2.32	0.00	1.12	2.37
7	6.6	GQEY	-21.20	2.18	2.32	0.00	7.20	8.40
7	6.6	GQEY	-23.72	5.85	2.18	0.04	7.20	8.40
7	7.15	GQEY	-23.40	5.85	2.18	0.04	8.43	5.18
7	7.15	GQEY	-31.72	5.85	9.46	0.03	8.43	5.23
7	8.05	GQEY	-31.19	5.85	9.46	0.03	-0.04	-0.03
7	0	GQEY	-47.51	-2.34	-2.36	0.00	-8.39	-7.07
7	4.025	GQEY	-45.13	-2.34	-2.36	0.00	-1.20	-2.21

7	6.6	GQEY	-43.61	-2.34	-2.36	0.00	-7.17	-7.81
7	6.6	GQEY	-40.34	-5.37	-2.24	-0.05	-7.16	-7.81
7	7.15	GQEY	-40.02	-5.37	-2.24	-0.05	-8.36	-4.86
7	7.15	GQEY	-31.79	-5.40	-9.24	-0.02	-8.36	-4.91
7	8.05	GQEY	-31.26	-5.40	-9.24	-0.02	-0.09	-0.05
7	0	GQWX1	-40.74	2.90	-0.02	0.00	-0.14	8.70
7	4.025	GQWX1	-38.37	2.90	-0.02	0.00	-0.04	-2.98
7	6.6	GQWX1	-36.84	2.90	-0.02	0.00	0.02	-10.45
7	6.6	GQWX1	-32.03	-7.17	-0.03	-0.01	0.02	-10.45
7	7.15	GQWX1	-31.71	-7.17	-0.03	-0.01	0.04	-6.51
7	7.15	GQWX1	-31.75	-7.18	0.11	0.00	0.04	-6.50
7	8.05	GQWX1	-31.22	-7.18	0.11	0.00	-0.07	-0.04
7	0	GQWX2	-31.86	-3.07	-0.02	0.00	-0.13	-9.22
7	4.025	GQWX2	-29.48	-3.07	-0.02	0.00	-0.04	3.13
7	6.6	GQWX2	-27.96	-3.07	-0.02	0.00	0.02	11.04
7	6.6	GQWX2	-32.03	7.65	-0.03	0.00	0.02	11.04
7	7.15	GQWX2	-31.71	7.65	-0.03	0.00	0.03	6.83
7	7.15	GQWX2	-31.75	7.63	0.11	0.00	0.03	6.83
7	8.05	GQWX2	-31.22	7.63	0.11	0.00	-0.07	-0.04
7	0	GQWY1	-48.20	-0.08	3.66	0.00	14.62	-0.26
7	4.025	GQWY1	-45.82	-0.08	3.66	0.00	-0.10	0.08
7	6.6	GQWY1	-44.30	-0.08	3.66	0.00	-9.52	0.29
7	6.6	GQWY1	-43.93	0.24	3.65	-0.02	-9.49	0.29
7	7.15	GQWY1	-43.61	0.24	3.65	-0.02	-11.50	0.16
7	7.15	GQWY1	-31.75	0.24	-12.73	0.00	-11.50	0.17
7	8.05	GQWY1	-31.22	0.24	-12.73	0.00	-0.04	-0.04
7	0	GQWY2	-24.40	-0.09	-3.70	0.00	-14.89	-0.26
7	4.025	GQWY2	-22.02	-0.09	-3.70	0.00	0.02	0.08
7	6.6	GQWY2	-20.50	-0.09	-3.70	0.00	9.56	0.30
7	6.6	GQWY2	-20.13	0.25	-3.71	0.01	9.53	0.30
7	7.15	GQWY2	-19.81	0.25	-3.71	0.01	11.57	0.16
7	7.15	GQWY2	-31.75	0.21	12.96	0.00	11.57	0.15
7	8.05	GQWY2	-31.22	0.21	12.96	0.00	-0.09	-0.04
8	0	DEAD	-37.37	0.30	-0.08	0.00	-0.24	0.33
8	4.025	DEAD	-34.99	0.30	-0.08	0.00	0.09	-0.87
8	6.6	DEAD	-33.47	0.30	-0.08	0.00	0.31	-1.64
8	6.6	DEAD	-32.54	-1.17	-0.09	0.00	0.30	-1.64
8	7.15	DEAD	-32.21	-1.17	-0.09	0.00	0.35	-0.99
8	7.15	DEAD	-31.75	-1.15	0.47	0.00	0.35	-0.99
8	8.05	DEAD	-31.22	-1.15	0.47	0.00	-0.07	0.04
8	0	GQ	-37.37	0.30	-0.08	0.00	-0.24	0.33
8	4.025	GQ	-34.99	0.30	-0.08	0.00	0.09	-0.87
8	6.6	GQ	-33.47	0.30	-0.08	0.00	0.31	-1.64
8	6.6	GQ	-32.54	-1.17	-0.09	0.00	0.30	-1.64
8	7.15	GQ	-32.21	-1.17	-0.09	0.00	0.35	-0.99
8	7.15	GQ	-31.75	-1.15	0.47	0.00	0.35	-0.99
8	8.05	GQ	-31.22	-1.15	0.47	0.00	-0.07	0.04
8	0	GQEX	-22.36	6.82	3.66	0.00	12.96	20.01
8	4.025	GQEX	-19.98	6.82	3.66	0.00	1.97	5.72
8	6.6	GQEX	-18.46	6.82	3.66	0.00	11.83	21.76
8	6.6	GQEX	-19.35	14.91	3.39	0.10	11.78	21.76
8	7.15	GQEX	-19.02	14.91	3.39	0.10	13.74	13.56
8	7.15	GQEX	-31.73	14.93	15.36	0.04	13.74	13.49
8	8.05	GQEX	-31.20	14.93	15.36	0.04	-0.05	0.05
8	0	GQEX	-52.38	-6.23	-3.83	0.00	-13.44	-19.35
8	4.025	GQEX	-50.00	-6.23	-3.83	0.00	-1.79	-7.46
8	6.6	GQEX	-48.48	-6.23	-3.83	0.00	-11.22	-25.03
8	6.6	GQEX	-45.73	-17.24	-3.57	-0.10	-11.17	-25.03
8	7.15	GQEX	-45.40	-17.24	-3.57	-0.10	-13.03	-15.54
8	7.15	GQEX	-31.78	-17.23	-14.42	-0.04	-13.03	-15.48

8	8.05	GQEX	-31.24	-17.23	-14.42	-0.04	-0.08	0.03
8	0	GQEY	-25.16	4.09	2.26	0.00	8.02	11.76
8	4.025	GQEY	-22.78	4.09	2.26	0.00	1.25	2.97
8	6.6	GQEY	-21.26	4.09	2.26	0.00	7.49	11.97
8	6.6	GQEY	-24.23	8.21	2.12	0.05	7.48	11.97
8	7.15	GQEY	-23.90	8.21	2.12	0.05	8.75	7.45
8	7.15	GQEY	-31.72	8.24	9.82	0.03	8.75	7.47
8	8.05	GQEY	-31.19	8.24	9.82	0.03	-0.04	0.05
8	0	GQEY	-49.58	-3.50	-2.42	0.00	-8.50	-11.10
8	4.025	GQEY	-47.20	-3.50	-2.42	0.00	-1.07	-4.71
8	6.6	GQEY	-45.68	-3.50	-2.42	0.00	-6.88	-15.24
8	6.6	GQEY	-40.85	-10.55	-2.30	-0.05	-8.87	-15.24
8	7.15	GQEY	-40.52	-10.55	-2.30	-0.05	-8.04	-9.44
8	7.15	GQEY	-31.79	-10.54	-8.88	-0.02	-8.04	-9.45
8	8.05	GQEY	-31.26	-10.54	-8.88	-0.02	-0.09	0.03
8	0	GQWX1	-41.81	3.28	-0.08	0.00	-0.24	9.29
8	4.025	GQWX1	-39.43	3.28	-0.08	0.00	0.09	-3.93
8	6.6	GQWX1	-37.91	3.28	-0.08	0.00	0.30	-12.38
8	6.6	GQWX1	-32.54	-8.58	-0.09	0.00	0.30	-12.38
8	7.15	GQWX1	-32.21	-8.58	-0.09	0.00	0.35	-7.66
8	7.15	GQWX1	-31.75	-8.55	0.46	0.00	0.35	-7.66
8	8.05	GQWX1	-31.22	-8.55	0.46	0.00	-0.07	0.04
8	0	GQWX2	-32.93	-2.69	-0.08	0.00	-0.24	-8.63
8	4.025	GQWX2	-30.55	-2.69	-0.08	0.00	0.09	2.19
8	6.6	GQWX2	-29.03	-2.69	-0.08	0.00	0.31	9.11
8	6.6	GQWX2	-32.54	6.24	-0.09	-0.01	0.31	9.11
8	7.15	GQWX2	-32.21	6.24	-0.09	-0.01	0.36	5.68
8	7.15	GQWX2	-31.75	6.25	0.47	0.00	0.36	5.67
8	8.05	GQWX2	-31.22	6.25	0.47	0.00	-0.07	0.04
8	0	GQWY1	-25.47	0.30	14.79	0.00	29.93	0.33
8	4.025	GQWY1	-23.09	0.30	5.51	0.00	-10.93	-0.87
8	6.6	GQWY1	-21.57	0.30	-0.42	0.00	-17.48	-1.63
8	6.6	GQWY1	-20.64	-1.16	-0.42	-0.03	-17.44	-1.63
8	7.15	GQWY1	-20.31	-1.16	-1.69	-0.03	-16.86	-0.99
8	7.15	GQWY1	-31.75	-1.17	-17.66	0.00	-16.86	-1.01
8	8.05	GQWY1	-31.22	-1.17	-19.73	0.00	-0.03	0.04
8	0	GQWY2	-49.27	0.30	-14.95	0.00	-30.41	0.33
8	4.025	GQWY2	-46.89	0.30	-5.68	0.00	11.11	-0.87
8	6.6	GQWY2	-45.37	0.30	0.26	0.00	18.09	-1.64
8	6.6	GQWY2	-44.44	-1.17	0.24	0.03	18.05	-1.64
8	7.15	GQWY2	-44.11	-1.17	1.51	0.03	17.57	-0.99
8	7.15	GQWY2	-31.75	-1.13	18.59	0.00	17.57	-0.98
8	8.05	GQWY2	-31.22	-1.13	20.67	0.00	-0.10	0.04
11	0	DEAD	-0.47	-0.16	0.00	0.00	0.00	0.00
11	0.47444	DEAD	-0.47	-0.13	0.00	0.00	0.00	0.07
11	0.94889	DEAD	-0.47	-0.09	0.00	0.00	0.00	0.12
11	1.42333	DEAD	-0.47	-0.05	0.00	0.00	0.00	0.15
11	1.89778	DEAD	-0.47	-0.02	0.00	0.00	0.00	0.17
11	2.37222	DEAD	-0.47	0.02	0.00	0.00	0.00	0.17
11	2.84667	DEAD	-0.47	0.05	0.00	0.00	0.00	0.15
11	3.32111	DEAD	-0.47	0.09	0.00	0.00	0.00	0.12
11	3.79556	DEAD	-0.47	0.13	0.00	0.00	0.00	0.07
11	4.27	DEAD	-0.47	0.16	0.00	0.00	0.00	0.00
11	0	GQ	-0.47	-0.16	0.00	0.00	0.00	0.00
11	0.47444	GQ	-0.47	-0.13	0.00	0.00	0.00	0.07
11	0.94889	GQ	-0.47	-0.09	0.00	0.00	0.00	0.12
11	1.42333	GQ	-0.47	-0.05	0.00	0.00	0.00	0.15
11	1.89778	GQ	-0.47	-0.02	0.00	0.00	0.00	0.17
11	2.37222	GQ	-0.47	0.02	0.00	0.00	0.00	0.17
11	2.84667	GQ	-0.47	0.05	0.00	0.00	0.00	0.15



11	3.32111	GQ	-0.47	0.09	0.00	0.00	0.00	0.12
11	3.79556	GQ	-0.47	0.13	0.00	0.00	0.00	0.07
11	4.27	GQ	-0.47	0.16	0.00	0.00	0.00	0.00
11	0	GQEX	-0.40	-0.16	0.04	0.00	0.07	0.00
11	0.47444	GQEX	-0.40	-0.13	0.04	0.00	0.06	0.07
11	0.94889	GQEX	-0.40	-0.09	0.04	0.00	0.04	0.12
11	1.42333	GQEX	-0.40	-0.05	0.04	0.00	0.02	0.15
11	1.89778	GQEX	-0.40	-0.02	0.04	0.00	0.01	0.17
11	2.37222	GQEX	-0.40	0.02	0.04	0.00	0.02	0.17
11	2.84667	GQEX	-0.40	0.05	0.04	0.00	0.04	0.15
11	3.32111	GQEX	-0.40	0.09	0.04	0.00	0.05	0.12
11	3.79556	GQEX	-0.40	0.13	0.04	0.00	0.07	0.07
11	4.27	GQEX	-0.40	0.16	0.04	0.00	0.08	0.00
11	0	GQEX	-0.55	-0.16	-0.04	0.00	-0.07	0.00
11	0.47444	GQEX	-0.55	-0.13	-0.04	0.00	-0.05	0.07
11	0.94889	GQEX	-0.55	-0.09	-0.04	0.00	-0.03	0.12
11	1.42333	GQEX	-0.55	-0.05	-0.04	0.00	-0.02	0.15
11	1.89778	GQEX	-0.55	-0.02	-0.04	0.00	-0.01	0.17
11	2.37222	GQEX	-0.55	0.02	-0.04	0.00	-0.02	0.17
11	2.84667	GQEX	-0.55	0.05	-0.04	0.00	-0.03	0.15
11	3.32111	GQEX	-0.55	0.09	-0.04	0.00	-0.05	0.12
11	3.79556	GQEX	-0.55	0.13	-0.04	0.00	-0.06	0.07
11	4.27	GQEX	-0.55	0.16	-0.04	0.00	-0.08	0.00
11	0	GQEY	-0.44	-0.16	0.02	0.00	0.05	0.00
11	0.47444	GQEY	-0.44	-0.13	0.02	0.00	0.04	0.07
11	0.94889	GQEY	-0.44	-0.09	0.02	0.00	0.04	0.12
11	1.42333	GQEY	-0.44	-0.05	0.02	0.00	0.03	0.15
11	1.89778	GQEY	-0.44	-0.02	0.02	0.00	0.03	0.17
11	2.37222	GQEY	-0.44	0.02	0.02	0.00	0.03	0.17
11	2.84667	GQEY	-0.44	0.05	0.02	0.00	0.03	0.15
11	3.32111	GQEY	-0.44	0.09	0.02	0.00	0.03	0.12
11	3.79556	GQEY	-0.44	0.13	0.02	0.00	0.03	0.07
11	4.27	GQEY	-0.44	0.16	0.02	0.00	0.04	0.00
11	0	GQEY	-0.50	-0.16	-0.02	0.00	-0.04	0.00
11	0.47444	GQEY	-0.50	-0.13	-0.02	0.00	-0.04	0.07
11	0.94889	GQEY	-0.50	-0.09	-0.02	0.00	-0.03	0.12
11	1.42333	GQEY	-0.50	-0.05	-0.02	0.00	-0.03	0.15
11	1.89778	GQEY	-0.50	-0.02	-0.02	0.00	-0.02	0.17
11	2.37222	GQEY	-0.50	0.02	-0.02	0.00	-0.02	0.17
11	2.84667	GQEY	-0.50	0.05	-0.02	0.00	-0.02	0.15
11	3.32111	GQEY	-0.50	0.09	-0.02	0.00	-0.03	0.12
11	3.79556	GQEY	-0.50	0.13	-0.02	0.00	-0.03	0.07
11	4.27	GQEY	-0.50	0.16	-0.02	0.00	-0.04	0.00
11	0	GQWX1	-4.33	-0.16	0.00	0.00	0.01	0.00
11	0.47444	GQWX1	-4.33	-0.13	0.00	0.00	0.00	0.07
11	0.94889	GQWX1	-4.33	-0.09	0.00	0.00	0.00	0.12
11	1.42333	GQWX1	-4.33	-0.05	0.00	0.00	0.00	0.15
11	1.89778	GQWX1	-4.33	-0.02	0.00	0.00	0.00	0.17
11	2.37222	GQWX1	-4.33	0.02	0.00	0.00	0.00	0.17
11	2.84667	GQWX1	-4.33	0.05	0.00	0.00	0.00	0.15
11	3.32111	GQWX1	-4.33	0.09	0.00	0.00	0.00	0.12
11	3.79556	GQWX1	-4.33	0.13	0.00	0.00	0.00	0.07
11	4.27	GQWX1	-4.33	0.16	0.00	0.00	0.00	0.00
11	0	GQWX2	3.39	-0.16	0.00	0.00	0.00	0.00
11	0.47444	GQWX2	3.39	-0.13	0.00	0.00	0.00	0.07
11	0.94889	GQWX2	3.39	-0.09	0.00	0.00	0.00	0.12
11	1.42333	GQWX2	3.39	-0.05	0.00	0.00	0.00	0.15
11	1.89778	GQWX2	3.39	-0.02	0.00	0.00	0.00	0.17
11	2.37222	GQWX2	3.39	0.02	0.00	0.00	0.00	0.17
11	2.84667	GQWX2	3.39	0.05	0.00	0.00	0.00	0.15

11	3.32111	GQWX2	3.39	0.09	0.00	0.00	0.00	0.12
11	3.79556	GQWX2	3.39	0.13	0.00	0.00	0.00	0.07
11	4.27	GQWX2	3.39	0.16	0.00	0.00	0.00	0.00
11	0	GQWY1	-0.47	-0.16	0.00	0.00	-0.03	0.00
11	0.47444	GQWY1	-0.47	-0.13	0.00	0.00	-0.03	0.07
11	0.94889	GQWY1	-0.47	-0.09	0.00	0.00	-0.03	0.12
11	1.42333	GQWY1	-0.47	-0.05	0.00	0.00	-0.03	0.15
11	1.89778	GQWY1	-0.47	-0.02	0.00	0.00	-0.03	0.17
11	2.37222	GQWY1	-0.47	0.02	0.00	0.00	-0.03	0.17
11	2.84667	GQWY1	-0.47	0.05	0.00	0.00	-0.03	0.15
11	3.32111	GQWY1	-0.47	0.09	0.00	0.00	-0.03	0.12
11	3.79556	GQWY1	-0.47	0.13	0.00	0.00	-0.03	0.07
11	4.27	GQWY1	-0.47	0.16	0.00	0.00	-0.03	0.00
11	0	GQWY2	-0.48	-0.16	0.00	0.00	0.04	0.00
11	0.47444	GQWY2	-0.48	-0.13	0.00	0.00	0.04	0.07
11	0.94889	GQWY2	-0.48	-0.09	0.00	0.00	0.04	0.12
11	1.42333	GQWY2	-0.48	-0.05	0.00	0.00	0.04	0.15
11	1.89778	GQWY2	-0.48	-0.02	0.00	0.00	0.04	0.17
11	2.37222	GQWY2	-0.48	0.02	0.00	0.00	0.04	0.17
11	2.84667	GQWY2	-0.48	0.05	0.00	0.00	0.04	0.15
11	3.32111	GQWY2	-0.48	0.09	0.00	0.00	0.04	0.12
11	3.79556	GQWY2	-0.48	0.13	0.00	0.00	0.04	0.07
11	4.27	GQWY2	-0.48	0.16	0.00	0.00	0.04	0.00
12	0	DEAD	0.49	-0.16	0.00	0.00	0.00	0.00
12	0.47444	DEAD	0.49	-0.13	0.00	0.00	0.00	0.07
12	0.94889	DEAD	0.49	-0.09	0.00	0.00	0.00	0.12
12	1.42333	DEAD	0.49	-0.05	0.00	0.00	0.00	0.15
12	1.89778	DEAD	0.49	-0.02	0.00	0.00	0.00	0.17
12	2.37222	DEAD	0.49	0.02	0.00	0.00	0.00	0.17
12	2.84667	DEAD	0.49	0.05	0.00	0.00	0.00	0.15
12	3.32111	DEAD	0.49	0.09	0.00	0.00	0.00	0.12
12	3.79556	DEAD	0.49	0.13	0.00	0.00	0.00	0.07
12	4.27	DEAD	0.49	0.16	0.00	0.00	0.00	0.00
12	0	GQ	0.49	-0.16	0.00	0.00	0.00	0.00
12	0.47444	GQ	0.49	-0.13	0.00	0.00	0.00	0.07
12	0.94889	GQ	0.49	-0.09	0.00	0.00	0.00	0.12
12	1.42333	GQ	0.49	-0.05	0.00	0.00	0.00	0.15
12	1.89778	GQ	0.49	-0.02	0.00	0.00	0.00	0.17
12	2.37222	GQ	0.49	0.02	0.00	0.00	0.00	0.17
12	2.84667	GQ	0.49	0.05	0.00	0.00	0.00	0.15
12	3.32111	GQ	0.49	0.09	0.00	0.00	0.00	0.12
12	3.79556	GQ	0.49	0.13	0.00	0.00	0.00	0.07
12	4.27	GQ	0.49	0.16	0.00	0.00	0.00	0.00
12	0	GQEX	0.49	-0.16	0.03	0.00	0.07	0.00
12	0.47444	GQEX	0.49	-0.13	0.03	0.00	0.05	0.07
12	0.94889	GQEX	0.49	-0.09	0.03	0.00	0.04	0.12
12	1.42333	GQEX	0.49	-0.05	0.03	0.00	0.02	0.15
12	1.89778	GQEX	0.49	-0.02	0.03	0.00	0.01	0.17
12	2.37222	GQEX	0.49	0.02	0.03	0.00	0.02	0.17
12	2.84667	GQEX	0.49	0.05	0.03	0.00	0.03	0.15
12	3.32111	GQEX	0.49	0.09	0.03	0.00	0.05	0.12
12	3.79556	GQEX	0.49	0.13	0.03	0.00	0.06	0.07
12	4.27	GQEX	0.49	0.16	0.03	0.00	0.08	0.00
12	0	GQEX	0.49	-0.16	-0.03	0.00	-0.06	0.00
12	0.47444	GQEX	0.49	-0.13	-0.03	0.00	-0.05	0.07
12	0.94889	GQEX	0.49	-0.09	-0.03	0.00	-0.03	0.12
12	1.42333	GQEX	0.49	-0.05	-0.03	0.00	-0.02	0.15
12	1.89778	GQEX	0.49	-0.02	-0.03	0.00	-0.01	0.17
12	2.37222	GQEX	0.49	0.02	-0.03	0.00	-0.02	0.17
12	2.84667	GQEX	0.49	0.05	-0.03	0.00	-0.03	0.15

12	3.32111	GQEX	0.49	0.09	-0.03	0.00	-0.05	0.12
12	3.79556	GQEX	0.49	0.13	-0.03	0.00	-0.06	0.07
12	4.27	GQEX	0.49	0.16	-0.03	0.00	-0.08	0.00
12	0	GQEY	0.50	-0.16	0.02	0.00	0.05	0.00
12	0.47444	GQEY	0.50	-0.13	0.02	0.00	0.04	0.07
12	0.94889	GQEY	0.50	-0.09	0.02	0.00	0.03	0.12
12	1.42333	GQEY	0.50	-0.05	0.02	0.00	0.03	0.15
12	1.89778	GQEY	0.50	-0.02	0.02	0.00	0.03	0.17
12	2.37222	GQEY	0.50	0.02	0.02	0.00	0.02	0.17
12	2.84667	GQEY	0.50	0.05	0.02	0.00	0.03	0.15
12	3.32111	GQEY	0.50	0.09	0.02	0.00	0.03	0.12
12	3.79556	GQEY	0.50	0.13	0.02	0.00	0.03	0.07
12	4.27	GQEY	0.50	0.16	0.02	0.00	0.04	0.00
12	0	GQEY	0.49	-0.16	-0.01	0.00	-0.04	0.00
12	0.47444	GQEY	0.49	-0.13	-0.01	0.00	-0.03	0.07
12	0.94889	GQEY	0.49	-0.09	-0.01	0.00	-0.03	0.12
12	1.42333	GQEY	0.49	-0.05	-0.01	0.00	-0.03	0.15
12	1.89778	GQEY	0.49	-0.02	-0.01	0.00	-0.02	0.17
12	2.37222	GQEY	0.49	0.02	-0.01	0.00	-0.02	0.17
12	2.84667	GQEY	0.49	0.05	-0.01	0.00	-0.02	0.15
12	3.32111	GQEY	0.49	0.09	-0.01	0.00	-0.02	0.12
12	3.79556	GQEY	0.49	0.13	-0.01	0.00	-0.03	0.07
12	4.27	GQEY	0.49	0.16	-0.01	0.00	-0.03	0.00
12	0	GQWX1	-3.37	-0.16	0.00	0.00	0.00	0.00
12	0.47444	GQWX1	-3.37	-0.13	0.00	0.00	0.00	0.07
12	0.94889	GQWX1	-3.37	-0.09	0.00	0.00	0.00	0.12
12	1.42333	GQWX1	-3.37	-0.05	0.00	0.00	0.00	0.15
12	1.89778	GQWX1	-3.37	-0.02	0.00	0.00	0.00	0.17
12	2.37222	GQWX1	-3.37	0.02	0.00	0.00	0.00	0.17
12	2.84667	GQWX1	-3.37	0.05	0.00	0.00	0.00	0.15
12	3.32111	GQWX1	-3.37	0.09	0.00	0.00	0.00	0.12
12	3.79556	GQWX1	-3.37	0.13	0.00	0.00	0.00	0.07
12	4.27	GQWX1	-3.37	0.16	0.00	0.00	0.00	0.00
12	0	GQWX2	4.35	-0.16	0.00	0.00	0.00	0.00
12	0.47444	GQWX2	4.35	-0.13	0.00	0.00	0.00	0.07
12	0.94889	GQWX2	4.35	-0.09	0.00	0.00	0.00	0.12
12	1.42333	GQWX2	4.35	-0.05	0.00	0.00	0.00	0.15
12	1.89778	GQWX2	4.35	-0.02	0.00	0.00	0.00	0.17
12	2.37222	GQWX2	4.35	0.02	0.00	0.00	0.00	0.17
12	2.84667	GQWX2	4.35	0.05	0.00	0.00	0.00	0.15
12	3.32111	GQWX2	4.35	0.09	0.00	0.00	0.00	0.12
12	3.79556	GQWX2	4.35	0.13	0.00	0.00	0.00	0.07
12	4.27	GQWX2	4.35	0.16	0.00	0.00	0.00	0.00
12	0	GQWY1	0.49	-0.16	0.00	0.00	-0.02	0.00
12	0.47444	GQWY1	0.49	-0.13	0.00	0.00	-0.02	0.07
12	0.94889	GQWY1	0.49	-0.09	0.00	0.00	-0.02	0.12
12	1.42333	GQWY1	0.49	-0.05	0.00	0.00	-0.02	0.15
12	1.89778	GQWY1	0.49	-0.02	0.00	0.00	-0.02	0.17
12	2.37222	GQWY1	0.49	0.02	0.00	0.00	-0.02	0.17
12	2.84667	GQWY1	0.49	0.05	0.00	0.00	-0.02	0.15
12	3.32111	GQWY1	0.49	0.09	0.00	0.00	-0.02	0.12
12	3.79556	GQWY1	0.49	0.13	0.00	0.00	-0.02	0.07
12	4.27	GQWY1	0.49	0.16	0.00	0.00	-0.02	0.00
12	0	GQWY2	0.50	-0.16	0.00	0.00	0.02	0.00
12	0.47444	GQWY2	0.50	-0.13	0.00	0.00	0.02	0.07
12	0.94889	GQWY2	0.50	-0.09	0.00	0.00	0.02	0.12
12	1.42333	GQWY2	0.50	-0.05	0.00	0.00	0.02	0.15
12	1.89778	GQWY2	0.50	-0.02	0.00	0.00	0.02	0.17
12	2.37222	GQWY2	0.50	0.02	0.00	0.00	0.02	0.17
12	2.84667	GQWY2	0.50	0.05	0.00	0.00	0.02	0.15

12	3.32111	GQWY2	0.50	0.09	0.00	0.00	0.02	0.12
12	3.79556	GQWY2	0.50	0.13	0.00	0.00	0.02	0.07
12	4.27	GQWY2	0.50	0.16	0.00	0.00	0.02	0.00
13	0	DEAD	-69.13	-0.24	-0.06	-0.07	-0.05	0.00
13	0.427	DEAD	-69.13	-0.14	-0.06	-0.07	-0.03	0.08
13	0.854	DEAD	-69.13	-0.05	-0.06	-0.07	-0.01	0.12
13	1.281	DEAD	-69.13	0.05	-0.06	-0.07	0.02	0.12
13	1.708	DEAD	-69.13	0.14	-0.06	-0.07	0.04	0.08
13	2.135	DEAD	-69.13	0.24	-0.06	-0.07	0.06	0.00
13	0	GQ	-69.13	-0.24	-0.06	-0.07	-0.05	0.00
13	0.427	GQ	-69.13	-0.14	-0.06	-0.07	-0.03	0.08
13	0.854	GQ	-69.13	-0.05	-0.06	-0.07	-0.01	0.12
13	1.281	GQ	-69.13	0.05	-0.06	-0.07	0.02	0.12
13	1.708	GQ	-69.13	0.14	-0.06	-0.07	0.04	0.08
13	2.135	GQ	-69.13	0.24	-0.06	-0.07	0.06	0.00
13	0	GQEX	-41.48	-0.24	1.28	-0.06	2.75	0.00
13	0.427	GQEX	-41.48	-0.14	1.28	-0.06	2.20	0.08
13	0.854	GQEX	-41.48	-0.05	1.28	-0.06	1.65	0.12
13	1.281	GQEX	-41.48	0.05	1.28	-0.06	1.11	0.12
13	1.708	GQEX	-41.48	0.14	1.28	-0.06	0.56	0.08
13	2.135	GQEX	-41.48	0.24	1.28	-0.06	0.12	0.00
13	0	GQEX	-96.77	-0.24	-1.39	-0.08	-2.85	0.00
13	0.427	GQEX	-96.77	-0.14	-1.39	-0.08	-2.26	0.08
13	0.854	GQEX	-96.77	-0.05	-1.39	-0.08	-1.67	0.12
13	1.281	GQEX	-96.77	0.05	-1.39	-0.08	-1.07	0.12
13	1.708	GQEX	-96.77	0.14	-1.39	-0.08	-0.48	0.08
13	2.135	GQEX	-96.77	0.24	-1.39	-0.08	0.01	0.00
13	0	GQEY	-53.97	-0.24	0.84	-0.05	1.83	0.00
13	0.427	GQEY	-53.97	-0.14	0.84	-0.05	1.48	0.08
13	0.854	GQEY	-53.97	-0.05	0.84	-0.05	1.12	0.12
13	1.281	GQEY	-53.97	0.05	0.84	-0.05	0.76	0.12
13	1.708	GQEY	-53.97	0.14	0.84	-0.05	0.41	0.08
13	2.135	GQEY	-53.97	0.24	0.84	-0.05	0.09	0.00
13	0	GQEY	-84.28	-0.24	-0.95	-0.09	-1.94	0.00
13	0.427	GQEY	-84.28	-0.14	-0.95	-0.09	-1.54	0.08
13	0.854	GQEY	-84.28	-0.05	-0.95	-0.09	-1.13	0.12
13	1.281	GQEY	-84.28	0.05	-0.95	-0.09	-0.73	0.12
13	1.708	GQEY	-84.28	0.14	-0.95	-0.09	-0.33	0.08
13	2.135	GQEY	-84.28	0.24	-0.95	-0.09	0.04	0.00
13	0	GQWX1	-74.80	-0.24	-0.06	-0.07	-0.05	0.00
13	0.427	GQWX1	-74.80	-0.14	-0.06	-0.07	-0.03	0.08
13	0.854	GQWX1	-74.80	-0.05	-0.06	-0.07	-0.01	0.12
13	1.281	GQWX1	-74.80	0.05	-0.06	-0.07	0.02	0.12
13	1.708	GQWX1	-74.80	0.14	-0.06	-0.07	0.04	0.08
13	2.135	GQWX1	-74.80	0.24	-0.06	-0.07	0.07	0.00
13	0	GQWX2	-63.46	-0.24	-0.06	-0.07	-0.05	0.00
13	0.427	GQWX2	-63.46	-0.14	-0.06	-0.07	-0.03	0.08
13	0.854	GQWX2	-63.46	-0.05	-0.06	-0.07	-0.01	0.12
13	1.281	GQWX2	-63.46	0.05	-0.06	-0.07	0.02	0.12
13	1.708	GQWX2	-63.46	0.14	-0.06	-0.07	0.04	0.08
13	2.135	GQWX2	-63.46	0.24	-0.06	-0.07	0.06	0.00
13	0	GQWY1	-69.12	-0.24	-0.06	-0.10	-0.06	0.00
13	0.427	GQWY1	-69.12	-0.14	-0.06	-0.10	-0.04	0.08
13	0.854	GQWY1	-69.12	-0.05	-0.06	-0.10	-0.01	0.12
13	1.281	GQWY1	-69.12	0.05	-0.06	-0.10	0.02	0.12
13	1.708	GQWY1	-69.12	0.14	-0.06	-0.10	0.05	0.08
13	2.135	GQWY1	-69.12	0.24	-0.06	-0.10	0.07	0.00
13	0	GQWY2	-69.13	-0.24	-0.05	-0.04	-0.04	0.00
13	0.427	GQWY2	-69.13	-0.14	-0.05	-0.04	-0.02	0.08
13	0.854	GQWY2	-69.13	-0.05	-0.05	-0.04	0.00	0.12

13	1.281	GQWY2	-69.13	0.05	-0.05	-0.04	0.02	0.12
13	1.708	GQWY2	-69.13	0.14	-0.05	-0.04	0.04	0.08
13	2.135	GQWY2	-69.13	0.24	-0.05	-0.04	0.06	0.00
14	0	DEAD	-68.12	-0.24	-0.06	-0.07	0.05	0.00
14	0.427	DEAD	-68.12	-0.14	-0.06	-0.07	0.07	0.08
14	0.854	DEAD	-68.12	-0.05	-0.06	-0.07	0.10	0.12
14	1.281	DEAD	-68.12	0.05	-0.06	-0.07	0.12	0.12
14	1.708	DEAD	-68.12	0.14	-0.06	-0.07	0.15	0.08
14	2.135	DEAD	-68.12	0.24	-0.06	-0.07	0.17	0.00
14	0	GQ	-68.12	-0.24	-0.06	-0.07	0.05	0.00
14	0.427	GQ	-68.12	-0.14	-0.06	-0.07	0.07	0.08
14	0.854	GQ	-68.12	-0.05	-0.06	-0.07	0.10	0.12
14	1.281	GQ	-68.12	0.05	-0.06	-0.07	0.12	0.12
14	1.708	GQ	-68.12	0.14	-0.06	-0.07	0.15	0.08
14	2.135	GQ	-68.12	0.24	-0.06	-0.07	0.17	0.00
14	0	GQEX	-51.04	-0.24	1.26	-0.05	0.08	0.00
14	0.427	GQEX	-51.04	-0.14	1.26	-0.05	0.60	0.08
14	0.854	GQEX	-51.04	-0.05	1.26	-0.05	1.19	0.12
14	1.281	GQEX	-51.04	0.05	1.26	-0.05	1.78	0.12
14	1.708	GQEX	-51.04	0.14	1.26	-0.05	2.37	0.08
14	2.135	GQEX	-51.04	0.24	1.26	-0.05	2.95	0.00
14	0	GQEX	-85.20	-0.24	-1.38	-0.08	0.01	0.00
14	0.427	GQEX	-85.20	-0.14	-1.38	-0.08	-0.46	0.08
14	0.854	GQEX	-85.20	-0.05	-1.38	-0.08	-1.00	0.12
14	1.281	GQEX	-85.20	0.05	-1.38	-0.08	-1.53	0.12
14	1.708	GQEX	-85.20	0.14	-1.38	-0.08	-2.07	0.08
14	2.135	GQEX	-85.20	0.24	-1.38	-0.08	-2.61	0.00
14	0	GQEY	-57.07	-0.24	0.86	-0.04	0.10	0.00
14	0.427	GQEY	-57.07	-0.14	0.86	-0.04	0.41	0.08
14	0.854	GQEY	-57.07	-0.05	0.86	-0.04	0.83	0.12
14	1.281	GQEY	-57.07	0.05	0.86	-0.04	1.25	0.12
14	1.708	GQEY	-57.07	0.14	0.86	-0.04	1.67	0.08
14	2.135	GQEY	-57.07	0.24	0.86	-0.04	2.08	0.00
14	0	GQEY	-79.18	-0.24	-0.98	-0.09	-0.01	0.00
14	0.427	GQEY	-79.18	-0.14	-0.98	-0.09	-0.27	0.08
14	0.854	GQEY	-79.18	-0.05	-0.98	-0.09	-0.64	0.12
14	1.281	GQEY	-79.18	0.05	-0.98	-0.09	-1.00	0.12
14	1.708	GQEY	-79.18	0.14	-0.98	-0.09	-1.37	0.08
14	2.135	GQEY	-79.18	0.24	-0.98	-0.09	-1.74	0.00
14	0	GQWX1	-60.71	-0.24	-0.06	-0.07	0.05	0.00
14	0.427	GQWX1	-60.71	-0.14	-0.06	-0.07	0.07	0.08
14	0.854	GQWX1	-60.71	-0.05	-0.06	-0.07	0.10	0.12
14	1.281	GQWX1	-60.71	0.05	-0.06	-0.07	0.12	0.12
14	1.708	GQWX1	-60.71	0.14	-0.06	-0.07	0.15	0.08
14	2.135	GQWX1	-60.71	0.24	-0.06	-0.07	0.18	0.00
14	0	GQWX2	-75.53	-0.24	-0.06	-0.07	0.05	0.00
14	0.427	GQWX2	-75.53	-0.14	-0.06	-0.07	0.07	0.08
14	0.854	GQWX2	-75.53	-0.05	-0.06	-0.07	0.10	0.12
14	1.281	GQWX2	-75.53	0.05	-0.06	-0.07	0.12	0.12
14	1.708	GQWX2	-75.53	0.14	-0.06	-0.07	0.15	0.08
14	2.135	GQWX2	-75.53	0.24	-0.06	-0.07	0.17	0.00
14	0	GQWY1	-68.12	-0.24	-0.05	-0.03	0.05	0.00
14	0.427	GQWY1	-68.12	-0.14	-0.05	-0.03	0.08	0.08
14	0.854	GQWY1	-68.12	-0.05	-0.05	-0.03	0.10	0.12
14	1.281	GQWY1	-68.12	0.05	-0.05	-0.03	0.12	0.12
14	1.708	GQWY1	-68.12	0.14	-0.05	-0.03	0.14	0.08
14	2.135	GQWY1	-68.12	0.24	-0.05	-0.03	0.16	0.00
14	0	GQWY2	-68.13	-0.24	-0.07	-0.10	0.04	0.00
14	0.427	GQWY2	-68.13	-0.14	-0.07	-0.10	0.07	0.08
14	0.854	GQWY2	-68.13	-0.05	-0.07	-0.10	0.10	0.12

14	1.281	GQWY2	-68.13	0.05	-0.07	-0.10	0.13	0.12
14	1.708	GQWY2	-68.13	0.14	-0.07	-0.10	0.15	0.08
14	2.135	GQWY2	-68.13	0.24	-0.07	-0.10	0.18	0.00
15	0	DEAD	0.28	-0.24	-0.06	-0.07	-0.05	0.00
15	0.427	DEAD	0.28	-0.14	-0.06	-0.07	-0.03	0.08
15	0.854	DEAD	0.28	-0.05	-0.06	-0.07	-0.01	0.12
15	1.281	DEAD	0.28	0.05	-0.06	-0.07	0.02	0.12
15	1.708	DEAD	0.28	0.14	-0.06	-0.07	0.04	0.08
15	2.135	DEAD	0.28	0.24	-0.06	-0.07	0.07	0.00
15	0	GQ	0.28	-0.24	-0.06	-0.07	-0.05	0.00
15	0.427	GQ	0.28	-0.14	-0.06	-0.07	-0.03	0.08
15	0.854	GQ	0.28	-0.05	-0.06	-0.07	-0.01	0.12
15	1.281	GQ	0.28	0.05	-0.06	-0.07	0.02	0.12
15	1.708	GQ	0.28	0.14	-0.06	-0.07	0.04	0.08
15	2.135	GQ	0.28	0.24	-0.06	-0.07	0.07	0.00
15	0	GQEX	17.08	-0.24	1.29	-0.06	2.76	0.00
15	0.427	GQEX	17.08	-0.14	1.29	-0.06	2.21	0.08
15	0.854	GQEX	17.08	-0.05	1.29	-0.06	1.66	0.12
15	1.281	GQEX	17.08	0.05	1.29	-0.06	1.11	0.12
15	1.708	GQEX	17.08	0.14	1.29	-0.06	0.56	0.08
15	2.135	GQEX	17.08	0.24	1.29	-0.06	0.13	0.00
15	0	GQEX	-16.52	-0.24	-1.40	-0.08	-2.86	0.00
15	0.427	GQEX	-16.52	-0.14	-1.40	-0.08	-2.27	0.08
15	0.854	GQEX	-16.52	-0.05	-1.40	-0.08	-1.67	0.12
15	1.281	GQEX	-16.52	0.05	-1.40	-0.08	-1.08	0.12
15	1.708	GQEX	-16.52	0.14	-1.40	-0.08	-0.48	0.08
15	2.135	GQEX	-16.52	0.24	-1.40	-0.08	0.00	0.00
15	0	GQEY	8.09	-0.24	0.83	-0.05	1.83	0.00
15	0.427	GQEY	8.09	-0.14	0.83	-0.05	1.48	0.08
15	0.854	GQEY	8.09	-0.05	0.83	-0.05	1.12	0.12
15	1.281	GQEY	8.09	0.05	0.83	-0.05	0.76	0.12
15	1.708	GQEY	8.09	0.14	0.83	-0.05	0.41	0.08
15	2.135	GQEY	8.09	0.24	0.83	-0.05	0.09	0.00
15	0	GQEY	-7.53	-0.24	-0.95	-0.09	-1.94	0.00
15	0.427	GQEY	-7.53	-0.14	-0.95	-0.09	-1.54	0.08
15	0.854	GQEY	-7.53	-0.05	-0.95	-0.09	-1.13	0.12
15	1.281	GQEY	-7.53	0.05	-0.95	-0.09	-0.73	0.12
15	1.708	GQEY	-7.53	0.14	-0.95	-0.09	-0.33	0.08
15	2.135	GQEY	-7.53	0.24	-0.95	-0.09	0.04	0.00
15	0	GQWX1	-5.39	-0.24	-0.06	-0.07	-0.05	0.00
15	0.427	GQWX1	-5.39	-0.14	-0.06	-0.07	-0.03	0.08
15	0.854	GQWX1	-5.39	-0.05	-0.06	-0.07	-0.01	0.12
15	1.281	GQWX1	-5.39	0.05	-0.06	-0.07	0.02	0.12
15	1.708	GQWX1	-5.39	0.14	-0.06	-0.07	0.04	0.08
15	2.135	GQWX1	-5.39	0.24	-0.06	-0.07	0.06	0.00
15	0	GQWX2	5.95	-0.24	-0.06	-0.07	-0.05	0.00
15	0.427	GQWX2	5.95	-0.14	-0.06	-0.07	-0.03	0.08
15	0.854	GQWX2	5.95	-0.05	-0.06	-0.07	-0.01	0.12
15	1.281	GQWX2	5.95	0.05	-0.06	-0.07	0.02	0.12
15	1.708	GQWX2	5.95	0.14	-0.06	-0.07	0.04	0.08
15	2.135	GQWX2	5.95	0.24	-0.06	-0.07	0.07	0.00
15	0	GQWY1	0.27	-0.24	-0.06	-0.09	-0.06	0.00
15	0.427	GQWY1	0.27	-0.14	-0.06	-0.09	-0.03	0.08
15	0.854	GQWY1	0.27	-0.05	-0.06	-0.09	-0.01	0.12
15	1.281	GQWY1	0.27	0.05	-0.06	-0.09	0.02	0.12
15	1.708	GQWY1	0.27	0.14	-0.06	-0.09	0.04	0.08
15	2.135	GQWY1	0.27	0.24	-0.06	-0.09	0.07	0.00
15	0	GQWY2	0.29	-0.24	-0.05	-0.05	-0.05	0.00
15	0.427	GQWY2	0.29	-0.14	-0.05	-0.05	-0.03	0.08
15	0.854	GQWY2	0.29	-0.05	-0.05	-0.05	-0.01	0.12

15	1.281	GQWY2	0.29	0.05	-0.05	-0.05	0.02	0.12
15	1.708	GQWY2	0.29	0.14	-0.05	-0.05	0.04	0.08
15	2.135	GQWY2	0.29	0.24	-0.05	-0.05	0.06	0.00
16	0	DEAD	-0.38	-0.24	-0.06	-0.07	0.05	0.00
16	0.427	DEAD	-0.38	-0.14	-0.06	-0.07	0.07	0.08
16	0.854	DEAD	-0.38	-0.05	-0.06	-0.07	0.10	0.12
16	1.281	DEAD	-0.38	0.05	-0.06	-0.07	0.12	0.12
16	1.708	DEAD	-0.38	0.14	-0.06	-0.07	0.15	0.08
16	2.135	DEAD	-0.38	0.24	-0.06	-0.07	0.17	0.00
16	0	GQ	-0.38	-0.24	-0.06	-0.07	0.05	0.00
16	0.427	GQ	-0.38	-0.14	-0.06	-0.07	0.07	0.08
16	0.854	GQ	-0.38	-0.05	-0.06	-0.07	0.10	0.12
16	1.281	GQ	-0.38	0.05	-0.06	-0.07	0.12	0.12
16	1.708	GQ	-0.38	0.14	-0.06	-0.07	0.15	0.08
16	2.135	GQ	-0.38	0.24	-0.06	-0.07	0.17	0.00
16	0	GQEX	16.40	-0.24	1.26	-0.05	0.09	0.00
16	0.427	GQEX	16.40	-0.14	1.26	-0.05	0.60	0.08
16	0.854	GQEX	16.40	-0.05	1.26	-0.05	1.19	0.12
16	1.281	GQEX	16.40	0.05	1.26	-0.05	1.78	0.12
16	1.708	GQEX	16.40	0.14	1.26	-0.05	2.38	0.08
16	2.135	GQEX	16.40	0.24	1.26	-0.05	2.97	0.00
16	0	GQEX	-17.16	-0.24	-1.38	-0.08	0.01	0.00
16	0.427	GQEX	-17.16	-0.14	-1.38	-0.08	-0.46	0.08
16	0.854	GQEX	-17.16	-0.05	-1.38	-0.08	-1.00	0.12
16	1.281	GQEX	-17.16	0.05	-1.38	-0.08	-1.54	0.12
16	1.708	GQEX	-17.16	0.14	-1.38	-0.08	-2.08	0.08
16	2.135	GQEX	-17.16	0.24	-1.38	-0.08	-2.62	0.00
16	0	GQEY	7.42	-0.24	0.86	-0.04	0.10	0.00
16	0.427	GQEY	7.42	-0.14	0.86	-0.04	0.41	0.08
16	0.854	GQEY	7.42	-0.05	0.86	-0.04	0.83	0.12
16	1.281	GQEY	7.42	0.05	0.86	-0.04	1.25	0.12
16	1.708	GQEY	7.42	0.14	0.86	-0.04	1.66	0.08
16	2.135	GQEY	7.42	0.24	0.86	-0.04	2.08	0.00
16	0	GQEY	-8.19	-0.24	-0.98	-0.09	-0.01	0.00
16	0.427	GQEY	-8.19	-0.14	-0.98	-0.09	-0.27	0.08
16	0.854	GQEY	-8.19	-0.05	-0.98	-0.09	-0.64	0.12
16	1.281	GQEY	-8.19	0.05	-0.98	-0.09	-1.00	0.12
16	1.708	GQEY	-8.19	0.14	-0.98	-0.09	-1.37	0.08
16	2.135	GQEY	-8.19	0.24	-0.98	-0.09	-1.73	0.00
16	0	GQWX1	7.03	-0.24	-0.06	-0.07	0.05	0.00
16	0.427	GQWX1	7.03	-0.14	-0.06	-0.07	0.07	0.08
16	0.854	GQWX1	7.03	-0.05	-0.06	-0.07	0.10	0.12
16	1.281	GQWX1	7.03	0.05	-0.06	-0.07	0.12	0.12
16	1.708	GQWX1	7.03	0.14	-0.06	-0.07	0.15	0.08
16	2.135	GQWX1	7.03	0.24	-0.06	-0.07	0.17	0.00
16	0	GQWX2	-7.79	-0.24	-0.06	-0.07	0.05	0.00
16	0.427	GQWX2	-7.79	-0.14	-0.06	-0.07	0.07	0.08
16	0.854	GQWX2	-7.79	-0.05	-0.06	-0.07	0.10	0.12
16	1.281	GQWX2	-7.79	0.05	-0.06	-0.07	0.12	0.12
16	1.708	GQWX2	-7.79	0.14	-0.06	-0.07	0.15	0.08
16	2.135	GQWX2	-7.79	0.24	-0.06	-0.07	0.17	0.00
16	0	GQWY1	-0.39	-0.24	-0.06	-0.04	0.05	0.00
16	0.427	GQWY1	-0.39	-0.14	-0.06	-0.04	0.07	0.08
16	0.854	GQWY1	-0.39	-0.05	-0.06	-0.04	0.10	0.12
16	1.281	GQWY1	-0.39	0.05	-0.06	-0.04	0.12	0.12
16	1.708	GQWY1	-0.39	0.14	-0.06	-0.04	0.15	0.08
16	2.135	GQWY1	-0.39	0.24	-0.06	-0.04	0.17	0.00
16	0	GQWY2	-0.38	-0.24	-0.06	-0.09	0.04	0.00
16	0.427	GQWY2	-0.38	-0.14	-0.06	-0.09	0.07	0.08
16	0.854	GQWY2	-0.38	-0.05	-0.06	-0.09	0.10	0.12

16	1.281	GQWY2	-0.38	0.05	-0.06	-0.09	0.12	0.12
16	1.708	GQWY2	-0.38	0.14	-0.06	-0.09	0.15	0.08
16	2.135	GQWY2	-0.38	0.24	-0.06	-0.09	0.18	0.00
17	0	DEAD	-1.05	-0.08	0.00	0.00	0.00	0.00
17	1.29042	DEAD	-1.00	0.00	0.00	0.00	0.00	0.05
17	2.58084	DEAD	-0.94	0.08	0.00	0.00	-0.01	0.00
17	0	GQ	-1.05	-0.08	0.00	0.00	0.00	0.00
17	1.29042	GQ	-1.00	0.00	0.00	0.00	0.00	0.05
17	2.58084	GQ	-0.94	0.08	0.00	0.00	-0.01	0.00
17	0	GQEX	19.28	-0.08	0.02	0.00	0.06	0.00
17	1.29042	GQEX	19.33	0.00	0.02	0.00	0.04	0.05
17	2.58084	GQEX	19.39	0.08	0.02	0.00	0.04	0.00
17	0	GQEX	-21.38	-0.08	-0.02	0.00	-0.06	0.00
17	1.29042	GQEX	-21.33	0.00	-0.02	0.00	-0.05	0.05
17	2.58084	GQEX	-21.27	0.08	-0.02	0.00	-0.06	0.00
17	0	GQEY	8.39	-0.08	0.03	0.00	0.13	0.00
17	1.29042	GQEY	8.45	0.00	0.03	0.00	0.10	0.05
17	2.58084	GQEY	8.50	0.08	0.03	0.00	0.07	0.00
17	0	GQEY	-10.50	-0.08	-0.02	0.00	-0.13	0.00
17	1.29042	GQEY	-10.44	0.00	-0.02	0.00	-0.11	0.05
17	2.58084	GQEY	-10.39	0.08	-0.02	0.00	-0.08	0.00
17	0	GQWX1	6.85	-0.08	0.00	0.00	0.00	0.00
17	1.29042	GQWX1	6.91	0.00	0.00	0.00	0.00	0.05
17	2.58084	GQWX1	6.96	0.08	0.00	0.00	-0.01	0.00
17	0	GQWX2	-8.96	-0.08	0.00	0.00	0.00	0.00
17	1.29042	GQWX2	-8.90	0.00	0.00	0.00	0.00	0.05
17	2.58084	GQWX2	-8.85	0.08	0.00	0.00	-0.01	0.00
17	0	GQWY1	-1.05	-0.08	0.01	0.00	0.04	0.00
17	1.29042	GQWY1	-1.00	0.00	0.01	0.00	0.04	0.05
17	2.58084	GQWY1	-0.94	0.08	0.01	0.00	0.03	0.00
17	0	GQWY2	-1.05	-0.08	0.00	0.00	-0.05	0.00
17	1.29042	GQWY2	-1.00	0.00	0.00	0.00	-0.05	0.05
17	2.58084	GQWY2	-0.94	0.08	0.00	0.00	-0.04	0.00
18	0	DEAD	-0.14	-0.08	0.01	0.00	0.02	0.00
18	1.29042	DEAD	-0.20	0.00	0.01	0.00	0.01	0.05
18	2.58084	DEAD	-0.25	0.08	0.01	0.00	0.00	0.00
18	0	GQ	-0.14	-0.08	0.01	0.00	0.02	0.00
18	1.29042	GQ	-0.20	0.00	0.01	0.00	0.01	0.05
18	2.58084	GQ	-0.25	0.08	0.01	0.00	0.00	0.00
18	0	GQEX	20.19	-0.08	0.03	0.00	0.08	0.00
18	1.29042	GQEX	20.13	0.00	0.03	0.00	0.08	0.05
18	2.58084	GQEX	20.08	0.08	0.03	0.00	0.10	0.00
18	0	GQEX	-20.47	-0.08	-0.02	0.00	-0.04	0.00
18	1.29042	GQEX	-20.52	0.00	-0.02	0.00	-0.07	0.05
18	2.58084	GQEX	-20.58	0.08	-0.02	0.00	-0.10	0.00
18	0	GQEY	9.31	-0.08	0.02	0.00	0.04	0.00
18	1.29042	GQEY	9.25	0.00	0.02	0.00	0.04	0.05
18	2.58084	GQEY	9.20	0.08	0.02	0.00	0.06	0.00
18	0	GQEY	-9.59	-0.08	-0.01	0.00	-0.01	0.00
18	1.29042	GQEY	-9.64	0.00	-0.01	0.00	-0.03	0.05
18	2.58084	GQEY	-9.70	0.08	-0.01	0.00	-0.05	0.00
18	0	GQWX1	-8.05	-0.08	0.00	0.00	0.01	0.00
18	1.29042	GQWX1	-8.10	0.00	0.00	0.00	0.01	0.05
18	2.58084	GQWX1	-8.16	0.08	0.00	0.00	0.00	0.00
18	0	GQWX2	7.76	-0.08	0.01	0.00	0.02	0.00
18	1.29042	GQWX2	7.71	0.00	0.01	0.00	0.01	0.05
18	2.58084	GQWX2	7.66	0.08	0.01	0.00	0.00	0.00
18	0	GQWY1	-0.14	-0.08	0.00	0.00	0.05	0.00
18	1.29042	GQWY1	-0.20	0.00	0.00	0.00	0.05	0.05
18	2.58084	GQWY1	-0.25	0.08	0.00	0.00	0.05	0.00

18	0	GQWY2	-0.14	-0.08	0.01	0.00	-0.02	0.00
18	1.29042	GQWY2	-0.20	0.00	0.01	0.00	-0.03	0.05
18	2.58084	GQWY2	-0.25	0.08	0.01	0.00	-0.04	0.00
19	0	DEAD	-0.05	-0.08	0.00	0.00	0.00	0.00
19	1.29042	DEAD	0.01	0.00	0.00	0.00	0.00	0.05
19	2.58084	DEAD	0.06	0.08	0.00	0.00	-0.01	0.00
19	0	GQ	-0.05	-0.08	0.00	0.00	0.00	0.00
19	1.29042	GQ	0.01	0.00	0.00	0.00	0.00	0.05
19	2.58084	GQ	0.06	0.08	0.00	0.00	-0.01	0.00
19	0	GQEX	26.98	-0.08	0.02	0.00	0.06	0.00
19	1.29042	GQEX	27.03	0.00	0.02	0.00	0.04	0.05
19	2.58084	GQEX	27.09	0.08	0.02	0.00	0.04	0.00
19	0	GQEX	-27.07	-0.08	-0.02	0.00	-0.06	0.00
19	1.29042	GQEX	-27.01	0.00	-0.02	0.00	-0.05	0.05
19	2.58084	GQEX	-26.96	0.08	-0.02	0.00	-0.05	0.00
19	0	GQEY	15.76	-0.08	0.02	0.00	0.13	0.00
19	1.29042	GQEY	15.82	0.00	0.02	0.00	0.10	0.05
19	2.58084	GQEY	15.87	0.08	0.02	0.00	0.07	0.00
19	0	GQEY	-15.85	-0.08	-0.02	0.00	-0.13	0.00
19	1.29042	GQEY	-15.80	0.00	-0.02	0.00	-0.11	0.05
19	2.58084	GQEY	-15.74	0.08	-0.02	0.00	-0.09	0.00
19	0	GQWX1	7.86	-0.08	0.00	0.00	0.00	0.00
19	1.29042	GQWX1	7.92	0.00	0.00	0.00	0.00	0.05
19	2.58084	GQWX1	7.97	0.08	0.00	0.00	-0.01	0.00
19	0	GQWX2	-7.95	-0.08	0.00	0.00	0.00	0.00
19	1.29042	GQWX2	-7.90	0.00	0.00	0.00	-0.01	0.05
19	2.58084	GQWX2	-7.84	0.08	0.00	0.00	-0.01	0.00
19	0	GQWY1	-0.05	-0.08	0.01	0.00	0.07	0.00
19	1.29042	GQWY1	0.01	0.00	0.01	0.00	0.06	0.05
19	2.58084	GQWY1	0.06	0.08	0.01	0.00	0.05	0.00
19	0	GQWY2	-0.05	-0.08	-0.01	0.00	-0.08	0.00
19	1.29042	GQWY2	0.01	0.00	-0.01	0.00	-0.07	0.05
19	2.58084	GQWY2	0.06	0.08	-0.01	0.00	-0.06	0.00
20	0	DEAD	-1.15	-0.08	0.01	0.00	0.02	0.00
20	1.29042	DEAD	-1.20	0.00	0.01	0.00	0.01	0.05
20	2.58084	DEAD	-1.26	0.08	0.01	0.00	0.00	0.00
20	0	GQ	-1.15	-0.08	0.01	0.00	0.02	0.00
20	1.29042	GQ	-1.20	0.00	0.01	0.00	0.01	0.05
20	2.58084	GQ	-1.26	0.08	0.01	0.00	0.00	0.00
20	0	GQEX	25.87	-0.08	0.03	0.00	0.07	0.00
20	1.29042	GQEX	25.82	0.00	0.03	0.00	0.08	0.05
20	2.58084	GQEX	25.77	0.08	0.03	0.00	0.10	0.00
20	0	GQEX	-28.17	-0.08	-0.01	0.00	-0.04	0.00
20	1.29042	GQEX	-28.23	0.00	-0.01	0.00	-0.07	0.05
20	2.58084	GQEX	-28.28	0.08	-0.01	0.00	-0.10	0.00
20	0	GQEY	14.66	-0.08	0.02	0.00	0.04	0.00
20	1.29042	GQEY	14.61	0.00	0.02	0.00	0.04	0.05
20	2.58084	GQEY	14.55	0.08	0.02	0.00	0.05	0.00
20	0	GQEY	-16.96	-0.08	-0.01	0.00	-0.01	0.00
20	1.29042	GQEY	-17.01	0.00	-0.01	0.00	-0.03	0.05
20	2.58084	GQEY	-17.06	0.08	-0.01	0.00	-0.05	0.00
20	0	GQWX1	-9.05	-0.08	0.01	0.00	0.02	0.00
20	1.29042	GQWX1	-9.11	0.00	0.01	0.00	0.01	0.05
20	2.58084	GQWX1	-9.16	0.08	0.01	0.00	0.00	0.00
20	0	GQWX2	6.76	-0.08	0.00	0.00	0.01	0.00
20	1.29042	GQWX2	6.70	0.00	0.00	0.00	0.01	0.05
20	2.58084	GQWX2	6.65	0.08	0.00	0.00	0.00	0.00
20	0	GQWY1	-1.15	-0.08	0.00	0.00	0.07	0.00
20	1.29042	GQWY1	-1.20	0.00	0.00	0.00	0.07	0.05
20	2.58084	GQWY1	-1.26	0.08	0.00	0.00	0.07	0.00

20	0	GQWY2	-1.15	-0.08	0.01	0.00	-0.04	0.00
20	1.29042	GQWY2	-1.20	0.00	0.01	0.00	-0.06	0.05
20	2.58084	GQWY2	-1.26	0.08	0.01	0.00	-0.08	0.00
21	0	DEAD	-32.62	-0.09	0.04	-0.01	0.05	0.00
21	0.41667	DEAD	-32.62	-0.03	0.04	-0.01	0.03	0.03
21	0.83333	DEAD	-32.62	0.03	0.04	-0.01	0.02	0.03
21	1.25	DEAD	-32.62	0.09	0.04	-0.01	0.00	0.00
21	0	GQ	-32.62	-0.09	0.04	-0.01	0.05	0.00
21	0.41667	GQ	-32.62	-0.03	0.04	-0.01	0.03	0.03
21	0.83333	GQ	-32.62	0.03	0.04	-0.01	0.02	0.03
21	1.25	GQ	-32.62	0.09	0.04	-0.01	0.00	0.00
21	0	GQEX	-29.06	-0.09	2.35	0.01	2.83	0.00
21	0.41667	GQEX	-29.06	-0.03	2.35	0.01	1.85	0.03
21	0.83333	GQEX	-29.06	0.03	2.35	0.01	0.87	0.03
21	1.25	GQEX	-29.06	0.09	2.35	0.01	0.10	0.00
21	0	GQEX	-36.18	-0.09	-2.27	-0.02	-2.73	0.00
21	0.41667	GQEX	-36.18	-0.03	-2.27	-0.02	-1.78	0.03
21	0.83333	GQEX	-36.18	0.03	-2.27	-0.02	-0.84	0.03
21	1.25	GQEX	-36.18	0.09	-2.27	-0.02	-0.11	0.00
21	0	GQEY	-9.78	-0.09	1.58	0.00	1.92	0.00
21	0.41667	GQEY	-9.78	-0.03	1.58	0.00	1.26	0.03
21	0.83333	GQEY	-9.78	0.03	1.58	0.00	0.60	0.03
21	1.25	GQEY	-9.78	0.09	1.58	0.00	0.06	0.00
21	0	GQEY	-55.46	-0.09	-1.50	-0.02	-1.81	0.00
21	0.41667	GQEY	-55.46	-0.03	-1.50	-0.02	-1.19	0.03
21	0.83333	GQEY	-55.46	0.03	-1.50	-0.02	-0.57	0.03
21	1.25	GQEY	-55.46	0.09	-1.50	-0.02	-0.06	0.00
21	0	GQWX1	-32.62	-0.09	0.04	0.00	0.05	0.00
21	0.41667	GQWX1	-32.62	-0.03	0.04	0.00	0.03	0.03
21	0.83333	GQWX1	-32.62	0.03	0.04	0.00	0.02	0.03
21	1.25	GQWX1	-32.62	0.09	0.04	0.00	0.00	0.00
21	0	GQWX2	-32.62	-0.09	0.05	-0.01	0.06	0.00
21	0.41667	GQWX2	-32.62	-0.03	0.05	-0.01	0.04	0.03
21	0.83333	GQWX2	-32.62	0.03	0.05	-0.01	0.02	0.03
21	1.25	GQWX2	-32.62	0.09	0.05	-0.01	0.00	0.00
21	0	GQWY1	-19.77	-0.09	0.05	0.00	0.05	0.00
21	0.41667	GQWY1	-19.77	-0.03	0.05	0.00	0.03	0.03
21	0.83333	GQWY1	-19.77	0.03	0.05	0.00	0.01	0.03
21	1.25	GQWY1	-19.77	0.09	0.05	0.00	-0.01	0.00
21	0	GQWY2	-45.47	-0.09	0.04	-0.01	0.05	0.00
21	0.41667	GQWY2	-45.47	-0.03	0.04	-0.01	0.04	0.03
21	0.83333	GQWY2	-45.47	0.03	0.04	-0.01	0.02	0.03
21	1.25	GQWY2	-45.47	0.09	0.04	-0.01	0.00	0.00
22	0	DEAD	-33.71	-0.09	0.04	-0.01	0.00	0.00
22	0.41667	DEAD	-33.71	-0.03	0.04	-0.01	-0.02	0.03
22	0.83333	DEAD	-33.71	0.03	0.04	-0.01	-0.03	0.03
22	1.25	DEAD	-33.71	0.09	0.04	-0.01	-0.05	0.00
22	0	GQ	-33.71	-0.09	0.04	-0.01	0.00	0.00
22	0.41667	GQ	-33.71	-0.03	0.04	-0.01	-0.02	0.03
22	0.83333	GQ	-33.71	0.03	0.04	-0.01	-0.03	0.03
22	1.25	GQ	-33.71	0.09	0.04	-0.01	-0.05	0.00
22	0	GQEX	-28.12	-0.09	2.31	0.01	0.08	0.00
22	0.41667	GQEX	-28.12	-0.03	2.31	0.01	0.85	0.03
22	0.83333	GQEX	-28.12	0.03	2.31	0.01	1.78	0.03
22	1.25	GQEX	-28.12	0.09	2.31	0.01	2.71	0.00
22	0	GQEX	-39.30	-0.09	-2.23	-0.02	-0.08	0.00
22	0.41667	GQEX	-39.30	-0.03	-2.23	-0.02	-0.88	0.03
22	0.83333	GQEX	-39.30	0.03	-2.23	-0.02	-1.85	0.03
22	1.25	GQEX	-39.30	0.09	-2.23	-0.02	-2.81	0.00
22	0	GQEY	-2.45	-0.09	1.58	0.01	0.05	0.00

22	0.41667	GQEY	-2.45	-0.03	1.58	0.01	0.57	0.03
22	0.83333	GQEY	-2.45	0.03	1.58	0.01	1.19	0.03
22	1.25	GQEY	-2.45	0.09	1.58	0.01	1.82	0.00
22	0	GQEY	-64.97	-0.09	-1.49	-0.02	-0.05	0.00
22	0.41667	GQEY	-64.97	-0.03	-1.49	-0.02	-0.61	0.03
22	0.83333	GQEY	-64.97	0.03	-1.49	-0.02	-1.26	0.03
22	1.25	GQEY	-64.97	0.09	-1.49	-0.02	-1.92	0.00
22	0	GQWX1	-33.71	-0.09	0.05	-0.01	0.00	0.00
22	0.41667	GQWX1	-33.71	-0.03	0.05	-0.01	-0.02	0.03
22	0.83333	GQWX1	-33.71	0.03	0.05	-0.01	-0.04	0.03
22	1.25	GQWX1	-33.71	0.09	0.05	-0.01	-0.05	0.00
22	0	GQWX2	-33.71	-0.09	0.04	0.00	0.00	0.00
22	0.41667	GQWX2	-33.71	-0.03	0.04	0.00	-0.02	0.03
22	0.83333	GQWX2	-33.71	0.03	0.04	0.00	-0.03	0.03
22	1.25	GQWX2	-33.71	0.09	0.04	0.00	-0.05	0.00
22	0	GQWY1	-53.92	-0.09	0.06	-0.01	0.01	0.00
22	0.41667	GQWY1	-53.92	-0.03	0.06	-0.01	-0.01	0.03
22	0.83333	GQWY1	-53.92	0.03	0.06	-0.01	-0.03	0.03
22	1.25	GQWY1	-53.92	0.09	0.06	-0.01	-0.06	0.00
22	0	GQWY2	-13.50	-0.09	0.03	0.00	-0.01	0.00
22	0.41667	GQWY2	-13.50	-0.03	0.03	0.00	-0.02	0.03
22	0.83333	GQWY2	-13.50	0.03	0.03	0.00	-0.03	0.03
22	1.25	GQWY2	-13.50	0.09	0.03	0.00	-0.05	0.00
23	0	DEAD	-33.51	-0.09	0.16	0.04	0.17	0.00
23	0.41667	DEAD	-33.51	-0.03	0.16	0.04	0.11	0.03
23	0.83333	DEAD	-33.51	0.03	0.16	0.04	0.04	0.03
23	1.25	DEAD	-33.51	0.09	0.16	0.04	-0.02	0.00
23	0	GQ	-33.51	-0.09	0.16	0.04	0.17	0.00
23	0.41667	GQ	-33.51	-0.03	0.16	0.04	0.11	0.03
23	0.83333	GQ	-33.51	0.03	0.16	0.04	0.04	0.03
23	1.25	GQ	-33.51	0.09	0.16	0.04	-0.02	0.00
23	0	GQEX	-15.22	-0.09	2.45	0.05	2.93	0.00
23	0.41667	GQEX	-15.22	-0.03	2.45	0.05	1.91	0.03
23	0.83333	GQEX	-15.22	0.03	2.45	0.05	0.89	0.03
23	1.25	GQEX	-15.22	0.09	2.45	0.05	0.08	0.00
23	0	GQEX	-51.81	-0.09	-2.13	0.03	-2.59	0.00
23	0.41667	GQEX	-51.81	-0.03	-2.13	0.03	-1.70	0.03
23	0.83333	GQEX	-51.81	0.03	-2.13	0.03	-0.81	0.03
23	1.25	GQEX	-51.81	0.09	-2.13	0.03	-0.13	0.00
23	0	GQEY	-21.99	-0.09	1.72	0.05	2.06	0.00
23	0.41667	GQEY	-21.99	-0.03	1.72	0.05	1.34	0.03
23	0.83333	GQEY	-21.99	0.03	1.72	0.05	0.62	0.03
23	1.25	GQEY	-21.99	0.09	1.72	0.05	0.04	0.00
23	0	GQEY	-45.04	-0.09	-1.40	0.03	-1.71	0.00
23	0.41667	GQEY	-45.04	-0.03	-1.40	0.03	-1.13	0.03
23	0.83333	GQEY	-45.04	0.03	-1.40	0.03	-0.54	0.03
23	1.25	GQEY	-45.04	0.09	-1.40	0.03	-0.09	0.00
23	0	GQWX1	-33.51	-0.09	0.15	0.04	0.17	0.00
23	0.41667	GQWX1	-33.51	-0.03	0.15	0.04	0.11	0.03
23	0.83333	GQWX1	-33.51	0.03	0.15	0.04	0.04	0.03
23	1.25	GQWX1	-33.51	0.09	0.15	0.04	-0.02	0.00
23	0	GQWX2	-33.51	-0.09	0.17	0.04	0.18	0.00
23	0.41667	GQWX2	-33.51	-0.03	0.17	0.04	0.11	0.03
23	0.83333	GQWX2	-33.51	0.03	0.17	0.04	0.04	0.03
23	1.25	GQWX2	-33.51	0.09	0.17	0.04	-0.03	0.00
23	0	GQWY1	-20.67	-0.09	0.15	0.04	0.17	0.00
23	0.41667	GQWY1	-20.67	-0.03	0.15	0.04	0.11	0.03
23	0.83333	GQWY1	-20.67	0.03	0.15	0.04	0.04	0.03
23	1.25	GQWY1	-20.67	0.09	0.15	0.04	-0.02	0.00
23	0	GQWY2	-46.36	-0.09	0.16	0.04	0.17	0.00

23	0.41667	GQWY2	-46.36	-0.03	0.16	0.04	0.11	0.03
23	0.83333	GQWY2	-46.36	0.03	0.16	0.04	0.04	0.03
23	1.25	GQWY2	-46.36	0.09	0.16	0.04	-0.03	0.00
24	0	DEAD	-32.82	-0.09	0.16	0.04	0.03	0.00
24	0.41667	DEAD	-32.82	-0.03	0.16	0.04	-0.04	0.03
24	0.83333	DEAD	-32.82	0.03	0.16	0.04	-0.11	0.03
24	1.25	DEAD	-32.82	0.09	0.16	0.04	-0.17	0.00
24	0	GQ	-32.82	-0.09	0.16	0.04	0.03	0.00
24	0.41667	GQ	-32.82	-0.03	0.16	0.04	-0.04	0.03
24	0.83333	GQ	-32.82	0.03	0.16	0.04	-0.11	0.03
24	1.25	GQ	-32.82	0.09	0.16	0.04	-0.17	0.00
24	0	GQEX	-14.52	-0.09	2.41	0.05	0.10	0.00
24	0.41667	GQEX	-14.52	-0.03	2.41	0.05	0.82	0.03
24	0.83333	GQEX	-14.52	0.03	2.41	0.05	1.70	0.03
24	1.25	GQEX	-14.52	0.09	2.41	0.05	2.57	0.00
24	0	GQEX	-51.11	-0.09	-2.10	0.03	-0.05	0.00
24	0.41667	GQEX	-51.11	-0.03	-2.10	0.03	-0.90	0.03
24	0.83333	GQEX	-51.11	0.03	-2.10	0.03	-1.91	0.03
24	1.25	GQEX	-51.11	0.09	-2.10	0.03	-2.91	0.00
24	0	GQEY	-21.29	-0.09	1.72	0.05	0.09	0.00
24	0.41667	GQEY	-21.29	-0.03	1.72	0.05	0.54	0.03
24	0.83333	GQEY	-21.29	0.03	1.72	0.05	1.13	0.03
24	1.25	GQEY	-21.29	0.09	1.72	0.05	1.71	0.00
24	0	GQEY	-44.35	-0.09	-1.40	0.03	-0.04	0.00
24	0.41667	GQEY	-44.35	-0.03	-1.40	0.03	-0.63	0.03
24	0.83333	GQEY	-44.35	0.03	-1.40	0.03	-1.34	0.03
24	1.25	GQEY	-44.35	0.09	-1.40	0.03	-2.06	0.00
24	0	GQWX1	-32.82	-0.09	0.17	0.04	0.03	0.00
24	0.41667	GQWX1	-32.82	-0.03	0.17	0.04	-0.04	0.03
24	0.83333	GQWX1	-32.82	0.03	0.17	0.04	-0.11	0.03
24	1.25	GQWX1	-32.82	0.09	0.17	0.04	-0.18	0.00
24	0	GQWX2	-32.82	-0.09	0.15	0.04	0.02	0.00
24	0.41667	GQWX2	-32.82	-0.03	0.15	0.04	-0.04	0.03
24	0.83333	GQWX2	-32.82	0.03	0.15	0.04	-0.11	0.03
24	1.25	GQWX2	-32.82	0.09	0.15	0.04	-0.17	0.00
24	0	GQWY1	-53.03	-0.09	0.15	0.04	0.01	0.00
24	0.41667	GQWY1	-53.03	-0.03	0.15	0.04	-0.05	0.03
24	0.83333	GQWY1	-53.03	0.03	0.15	0.04	-0.11	0.03
24	1.25	GQWY1	-53.03	0.09	0.15	0.04	-0.17	0.00
24	0	GQWY2	-12.61	-0.09	0.17	0.04	0.04	0.00
24	0.41667	GQWY2	-12.61	-0.03	0.17	0.04	-0.03	0.03
24	0.83333	GQWY2	-12.61	0.03	0.17	0.04	-0.11	0.03
24	1.25	GQWY2	-12.61	0.09	0.17	0.04	-0.18	0.00
25	0	DEAD	-0.96	-0.05	0.00	0.00	0.00	0.00
25	0.77015	DEAD	-0.93	0.00	0.00	0.00	0.00	0.02
25	1.54029	DEAD	-0.90	0.05	0.00	0.00	0.00	0.00
25	0	GQ	-0.96	-0.05	0.00	0.00	0.00	0.00
25	0.77015	GQ	-0.93	0.00	0.00	0.00	0.00	0.02
25	1.54029	GQ	-0.90	0.05	0.00	0.00	0.00	0.00
25	0	GQEX	4.58	-0.05	0.02	0.00	0.14	0.00
25	0.77015	GQEX	4.62	0.00	0.02	0.00	0.13	0.02
25	1.54029	GQEX	4.65	0.05	0.02	0.00	0.12	0.00
25	0	GQEX	-6.51	-0.05	-0.02	0.00	-0.14	0.00
25	0.77015	GQEX	-6.47	0.00	-0.02	0.00	-0.13	0.02
25	1.54029	GQEX	-6.44	0.05	-0.02	0.00	-0.12	0.00
25	0	GQEY	32.38	-0.05	0.03	0.00	0.12	0.00
25	0.77015	GQEY	32.41	0.00	0.03	0.00	0.09	0.02
25	1.54029	GQEY	32.45	0.05	0.03	0.00	0.07	0.00
25	0	GQEY	-34.30	-0.05	-0.04	0.00	-0.12	0.00
25	0.77015	GQEY	-34.27	0.00	-0.04	0.00	-0.09	0.02

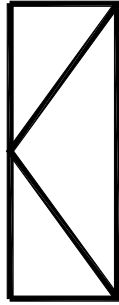
25	1.54029	GQEY	-34.24	0.05	-0.04	0.00	-0.07	0.00
25	0	GQWX1	-0.96	-0.05	0.00	0.00	0.01	0.00
25	0.77015	GQWX1	-0.93	0.00	0.00	0.00	0.00	0.02
25	1.54029	GQWX1	-0.90	0.05	0.00	0.00	0.00	0.00
25	0	GQWX2	-0.96	-0.05	-0.01	0.00	-0.01	0.00
25	0.77015	GQWX2	-0.93	0.00	-0.01	0.00	0.00	0.02
25	1.54029	GQWX2	-0.90	0.05	-0.01	0.00	0.00	0.00
25	0	GQWY1	-21.33	-0.05	-0.02	0.00	-0.02	0.00
25	0.77015	GQWY1	-21.30	0.00	-0.02	0.00	0.00	0.02
25	1.54029	GQWY1	-21.26	0.05	-0.02	0.00	0.01	0.00
25	0	GQWY2	19.40	-0.05	0.02	0.00	0.02	0.00
25	0.77015	GQWY2	19.44	0.00	0.02	0.00	0.00	0.02
25	1.54029	GQWY2	19.47	0.05	0.02	0.00	-0.01	0.00
26	0	DEAD	0.45	-0.05	0.00	0.00	0.00	0.00
26	0.77015	DEAD	0.42	0.00	0.00	0.00	0.00	0.02
26	1.54029	DEAD	0.38	0.05	0.00	0.00	0.00	0.00
26	0	GQ	0.45	-0.05	0.00	0.00	0.00	0.00
26	0.77015	GQ	0.42	0.00	0.00	0.00	0.00	0.02
26	1.54029	GQ	0.38	0.05	0.00	0.00	0.00	0.00
26	0	GQEX	6.00	-0.05	0.04	0.00	0.11	0.00
26	0.77015	GQEX	5.96	0.00	0.04	0.00	0.14	0.02
26	1.54029	GQEX	5.93	0.05	0.04	0.00	0.17	0.00
26	0	GQEX	-5.09	-0.05	-0.04	0.00	-0.11	0.00
26	0.77015	GQEX	-5.13	0.00	-0.04	0.00	-0.14	0.02
26	1.54029	GQEX	-5.16	0.05	-0.04	0.00	-0.17	0.00
26	0	GQEY	33.79	-0.05	0.04	0.00	0.07	0.00
26	0.77015	GQEY	33.76	0.00	0.04	0.00	0.09	0.02
26	1.54029	GQEY	33.73	0.05	0.04	0.00	0.12	0.00
26	0	GQEY	-32.89	-0.05	-0.04	0.00	-0.07	0.00
26	0.77015	GQEY	-32.92	0.00	-0.04	0.00	-0.09	0.02
26	1.54029	GQEY	-32.96	0.05	-0.04	0.00	-0.12	0.00
26	0	GQWX1	0.45	-0.05	-0.01	0.00	0.00	0.00
26	0.77015	GQWX1	0.42	0.00	-0.01	0.00	0.00	0.02
26	1.54029	GQWX1	0.38	0.05	-0.01	0.00	0.01	0.00
26	0	GQWX2	0.45	-0.05	0.01	0.00	0.00	0.00
26	0.77015	GQWX2	0.42	0.00	0.01	0.00	0.00	0.02
26	1.54029	GQWX2	0.38	0.05	0.01	0.00	-0.01	0.00
26	0	GQWY1	20.82	-0.05	-0.03	0.00	-0.01	0.00
26	0.77015	GQWY1	20.78	0.00	-0.03	0.00	0.01	0.02
26	1.54029	GQWY1	20.75	0.05	-0.03	0.00	0.03	0.00
26	0	GQWY2	-19.92	-0.05	0.03	0.00	0.01	0.00
26	0.77015	GQWY2	-19.95	0.00	0.03	0.00	-0.01	0.02
26	1.54029	GQWY2	-19.98	0.05	0.03	0.00	-0.03	0.00
27	0	DEAD	0.14	-0.05	-0.02	0.00	0.00	0.00
27	0.77015	DEAD	0.17	0.00	-0.02	0.00	0.02	0.02
27	1.54029	DEAD	0.21	0.05	-0.02	0.00	0.03	0.00
27	0	GQ	0.14	-0.05	-0.02	0.00	0.00	0.00
27	0.77015	GQ	0.17	0.00	-0.02	0.00	0.02	0.02
27	1.54029	GQ	0.21	0.05	-0.02	0.00	0.03	0.00
27	0	GQEX	22.71	-0.05	0.01	0.00	0.15	0.00
27	0.77015	GQEX	22.74	0.00	0.01	0.00	0.15	0.02
27	1.54029	GQEX	22.77	0.05	0.01	0.00	0.14	0.00
27	0	GQEX	-22.43	-0.05	-0.04	0.00	-0.14	0.00
27	0.77015	GQEX	-22.39	0.00	-0.04	0.00	-0.11	0.02
27	1.54029	GQEX	-22.36	0.05	-0.04	0.00	-0.08	0.00
27	0	GQEY	14.36	-0.05	-0.01	0.00	0.09	0.00
27	0.77015	GQEY	14.39	0.00	-0.01	0.00	0.10	0.02
27	1.54029	GQEY	14.42	0.05	-0.01	0.00	0.11	0.00
27	0	GQEY	-14.08	-0.05	-0.03	0.00	-0.08	0.00
27	0.77015	GQEY	-14.04	0.00	-0.03	0.00	-0.07	0.02

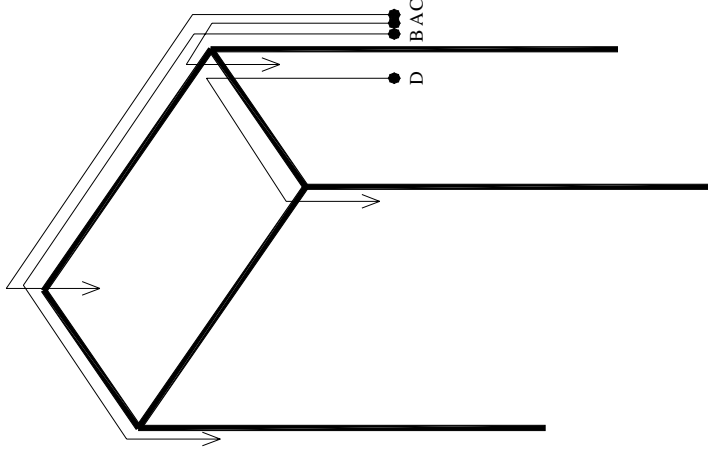
27	1.54029	GQEY	-14.01	0.05	-0.03	0.00	-0.05	0.00
27	0	GQWX1	0.14	-0.05	-0.01	0.00	0.01	0.00
27	0.77015	GQWX1	0.17	0.00	-0.01	0.00	0.02	0.02
27	1.54029	GQWX1	0.21	0.05	-0.01	0.00	0.03	0.00
27	0	GQWX2	0.14	-0.05	-0.03	0.00	-0.01	0.00
27	0.77015	GQWX2	0.17	0.00	-0.03	0.00	0.01	0.02
27	1.54029	GQWX2	0.21	0.05	-0.03	0.00	0.03	0.00
27	0	GQWY1	-20.23	-0.05	0.00	0.00	0.02	0.00
27	0.77015	GQWY1	-20.19	0.00	0.00	0.00	0.02	0.02
27	1.54029	GQWY1	-20.16	0.05	0.00	0.00	0.02	0.00
27	0	GQWY2	20.51	-0.05	-0.04	0.00	-0.01	0.00
27	0.77015	GQWY2	20.54	0.00	-0.04	0.00	0.01	0.02
27	1.54029	GQWY2	20.57	0.05	-0.04	0.00	0.04	0.00
28	0	DEAD	-0.65	-0.05	-0.02	0.00	-0.03	0.00
28	0.77015	DEAD	-0.69	0.00	-0.02	0.00	-0.02	0.02
28	1.54029	DEAD	-0.72	0.05	-0.02	0.00	0.00	0.00
28	0	GQ	-0.65	-0.05	-0.02	0.00	-0.03	0.00
28	0.77015	GQ	-0.69	0.00	-0.02	0.00	-0.02	0.02
28	1.54029	GQ	-0.72	0.05	-0.02	0.00	0.00	0.00
28	0	GQEX	21.92	-0.05	0.02	0.00	0.08	0.00
28	0.77015	GQEX	21.88	0.00	0.02	0.00	0.12	0.02
28	1.54029	GQEX	21.85	0.05	0.02	0.00	0.17	0.00
28	0	GQEX	-23.22	-0.05	-0.06	0.00	-0.14	0.00
28	0.77015	GQEX	-23.25	0.00	-0.06	0.00	-0.16	0.02
28	1.54029	GQEX	-23.28	0.05	-0.06	0.00	-0.17	0.00
28	0	GQEY	13.57	-0.05	-0.01	0.00	0.05	0.00
28	0.77015	GQEY	13.53	0.00	-0.01	0.00	0.07	0.02
28	1.54029	GQEY	13.50	0.05	-0.01	0.00	0.09	0.00
28	0	GQEY	-14.87	-0.05	-0.03	0.00	-0.11	0.00
28	0.77015	GQEY	-14.90	0.00	-0.03	0.00	-0.10	0.02
28	1.54029	GQEY	-14.93	0.05	-0.03	0.00	-0.09	0.00
28	0	GQWX1	-0.65	-0.05	-0.03	0.00	-0.03	0.00
28	0.77015	GQWX1	-0.69	0.00	-0.03	0.00	-0.01	0.02
28	1.54029	GQWX1	-0.72	0.05	-0.03	0.00	0.01	0.00
28	0	GQWX2	-0.65	-0.05	-0.01	0.00	-0.03	0.00
28	0.77015	GQWX2	-0.69	0.00	-0.01	0.00	-0.02	0.02
28	1.54029	GQWX2	-0.72	0.05	-0.01	0.00	-0.01	0.00
28	0	GQWY1	19.72	-0.05	0.01	0.00	-0.02	0.00
28	0.77015	GQWY1	19.68	0.00	0.01	0.00	-0.02	0.02
28	1.54029	GQWY1	19.65	0.05	0.01	0.00	-0.03	0.00
28	0	GQWY2	-21.02	-0.05	-0.05	0.00	-0.04	0.00
28	0.77015	GQWY2	-21.05	0.00	-0.05	0.00	-0.01	0.02
28	1.54029	GQWY2	-21.09	0.05	-0.05	0.00	0.03	0.00

TABLE: Steel Design 1 - Summary Data - AISC-ASD89

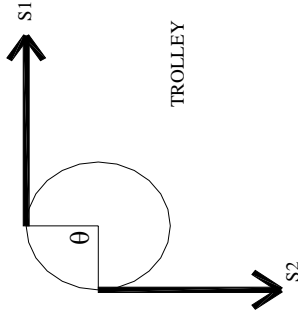
Frame	DesignSect	DesignType	Status	Ratio	RatioType	Combo	Location	ErrMsg	WarnMsg
Text	Text	Text	Text	Unitless	Text	Text	m	Text	Text
5	HE240A	Column	No Messages	0.483581	PMM	GQEY	0	No Messages	No Messages
6	HE240A	Column	No Messages	0.895225	PMM	GQWY2	0	No Messages	No Messages
7	HE240A	Column	No Messages	0.433059	PMM	GQEX	0	No Messages	No Messages
8	HE240A	Column	No Messages	0.630341	PMM	GQWY2	0	No Messages	No Messages
11	2L50	Beam	See WarnMsg	0.44129	PMM	GQWX1	1.89778	No Messages	No Messages
12	2L50	Beam	See WarnMsg	0.372171	PMM	GQWX1	2.37222	No Messages	No Messages
13	B150150	Beam	No Messages	0.361098	PMM	GQEX	0	No Messages	No Messages
14	B150150	Beam	No Messages	0.335533	PMM	GQEX	2.135	No Messages	No Messages
15	B150150	Beam	No Messages	0.151945	PMM	GQEX	0	No Messages	No Messages
16	B150150	Beam	No Messages	0.15746	PMM	GQEX	2.135	No Messages	No Messages
17	2L50	Brace	No Messages	0.559571	PMM	GQEX	1.29042	No Messages	No Messages
18	2L50	Brace	No Messages	0.558526	PMM	GQEX	1.29042	No Messages	No Messages
19	2L50	Brace	No Messages	0.705717	PMM	GQEX	1.29042	No Messages	No Messages
20	2L50	Brace	No Messages	0.756261	PMM	GQEX	1.29042	No Messages	No Messages
21	B100100	Beam	No Messages	0.405596	PMM	GQEX	0	No Messages	No Messages
22	B100100	Beam	No Messages	0.426734	PMM	GQEY	1.25	No Messages	No Messages
23	B100100	Beam	No Messages	0.478386	PMM	GQEX	0	No Messages	No Messages
24	B100100	Beam	No Messages	0.473639	PMM	GQEX	1.25	No Messages	No Messages
25	2L50	Brace	No Messages	0.364542	PMM	GQEY	0.77015	No Messages	No Messages
26	2L50	Brace	No Messages	0.352744	PMM	GQEY	0.77015	No Messages	No Messages
27	2L50	Brace	No Messages	0.288028	PMM	GQEX	0.77015	No Messages	No Messages
28	2L50	Brace	No Messages	0.295754	PMM	GQEX	0.77015	No Messages	No Messages

FORCES ACTING ON FRAME

	2nd platform	30 kN	$\Psi = 1.4$
	1th platform	30 kN	$\Psi = 1.4$
	1th platform	30 kN	$\Psi = 1.4$



Ψ = DYNAMIC COEFFICIENT
 μ = FRICTION COEFFICIENT (5% Lubricated)

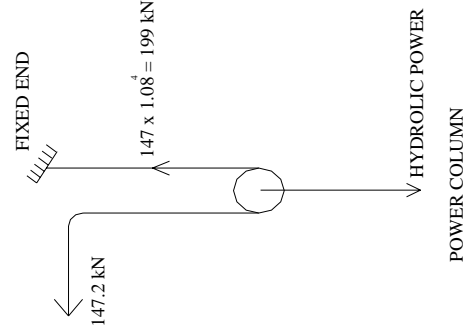


$$\frac{S1}{S2} = e^{\mu\theta}$$

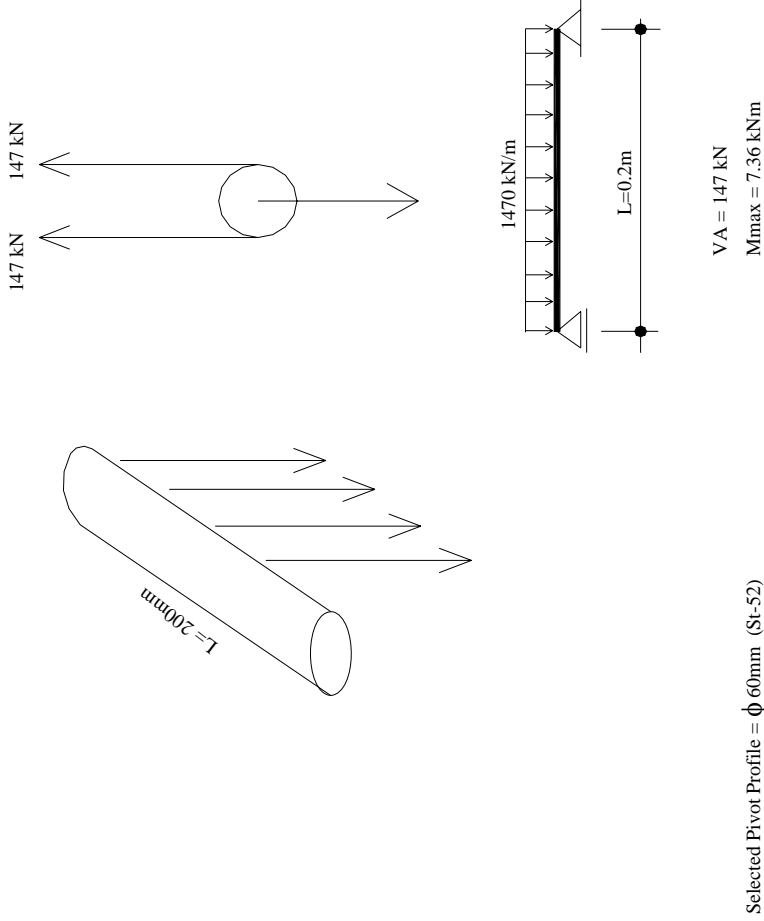
$$S1 = 1.08 S2$$

CABLE FORCES

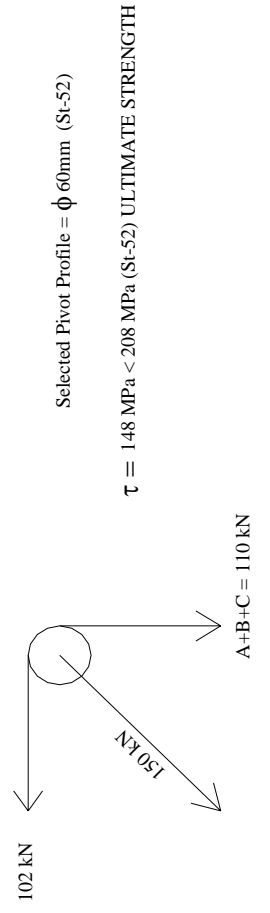
- A = $31 \times 1.08 = 34.02$ kN
- B = $31 \times 1.08^2 = 39.72$ kN
- C = $31 \times 1.08^3 = 36.75$ kN
- D = $31 \times 1.08 = 36.75$ kN



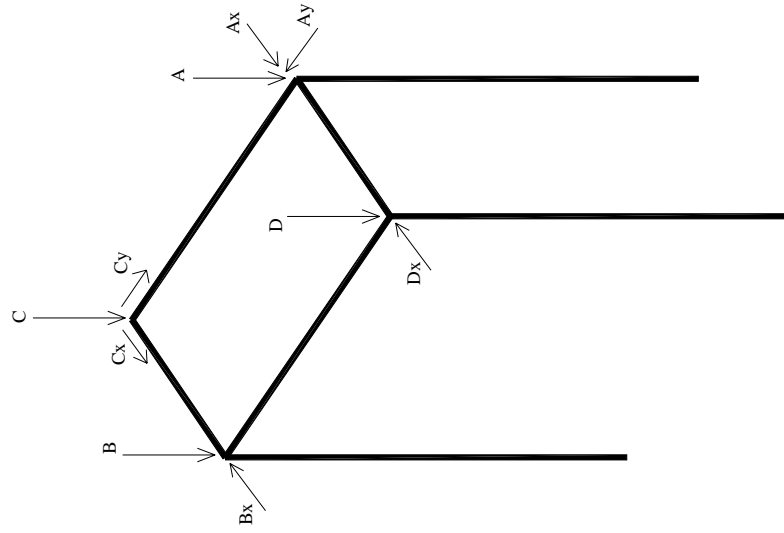
CALCULATION OF SHAFT (PIVOT)



Shaft at Top of Power Column :



TROLLEY LOADS ACTING ON NODES

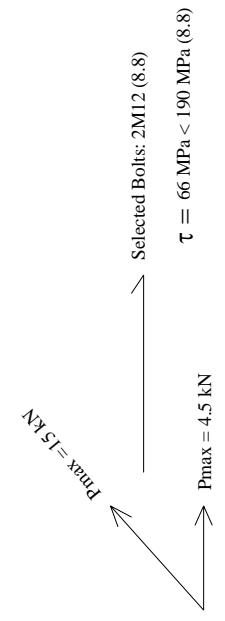
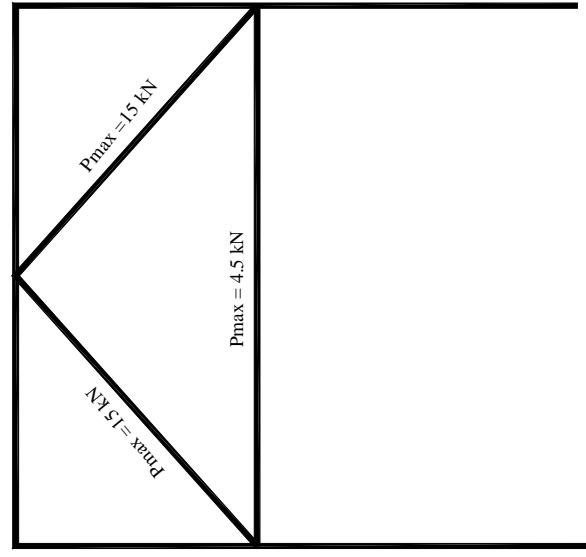


JOINT FORCES

A = 176 kN	B = 32 kN	C = 31.00 kN	D = 31.00 kN
Ax = 34 kN	Bx = 34 kN	Cx = 34 kN	Dx = 34 kN
Ay = 71 kN		Cy = 71 kN	Dy = 71 kN

NOTE : THESE LOADS HAVE BEEN CONSIDERED IN THE SAP2000 COMPUTER MODEL

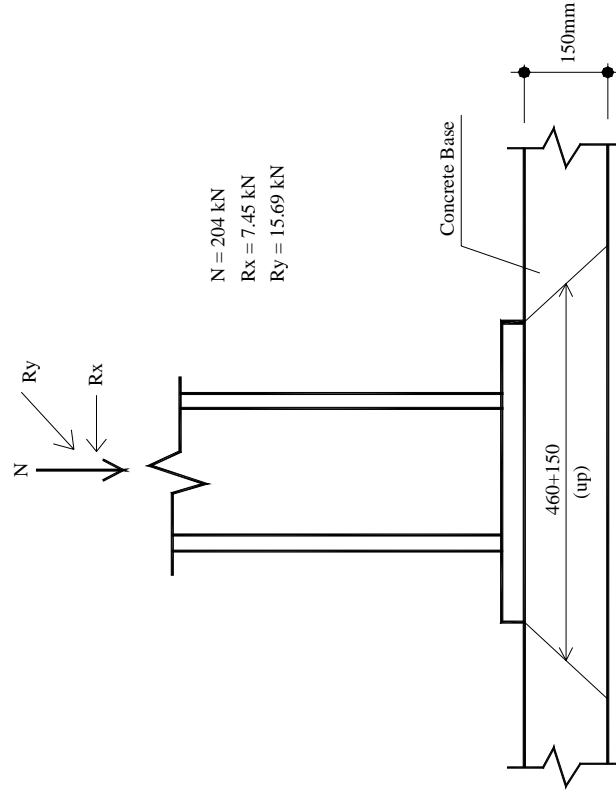
STEEL CONNECTION



Selected Bolts: 2M12 (8.8)

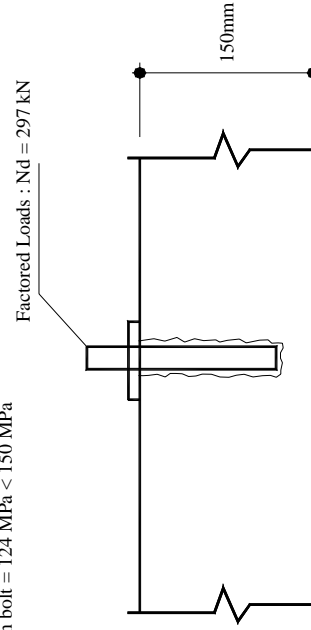
$\tau = 66 \text{ MPa} < 190 \text{ MPa (8.8)}$

CONCRETE BASE DESIGN

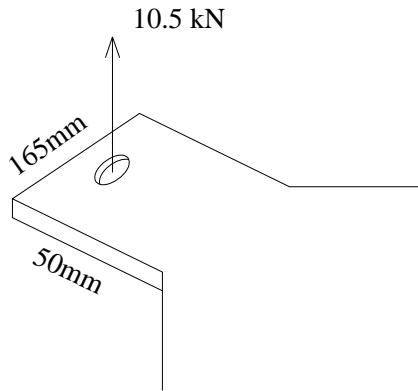


Factored Loads : $N_d = 297 \text{ kN}$
 Punching Check : $V_{pr} = 0.9 \times 11.5 \times 232 \times 15 = 360 \text{ kN} > 297 \text{ kN}$

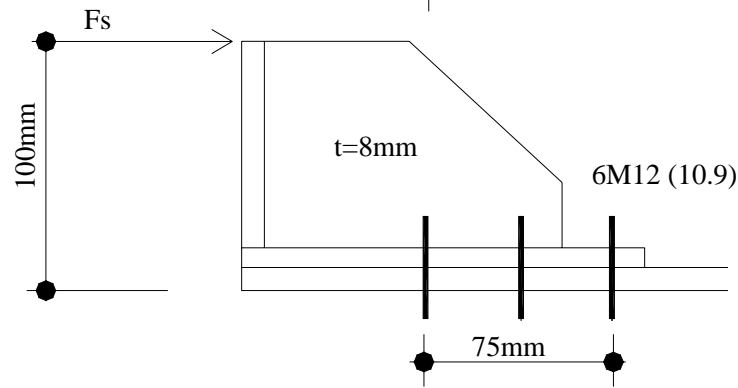
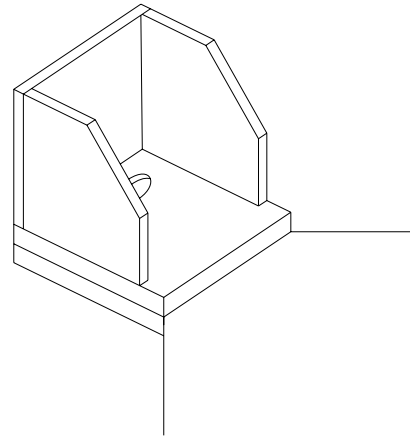
$R_y = 15.69 \text{ kN}$
 Selected Anchor Bolts : 4M20 (St-42)
 Shear force in bolt = 124 MPa < 150 MPa



Safety Bracket



$M = 10.5 \times 0.05 = 0.525 \text{ kNm}$
 stress = 180 MPa < 240 MPa



Ultimate capacity of 1M12 = 33.46 kN > 17.5 kN

$F_s = 10.5 \text{ kN}$
 friction coefficient = 0.4

$N = 10.5 / 0.4 = 26.25 \text{ kN}$
 $M = 26.25 \times 0.1 = 2.63 \text{ kNm}$
 $P = 2.63 / 2 \times 0.075 = 17.5 \text{ kN}$

NODUS
ENGINEERS CONSULTING CO.LTD.

CAR PARK (4 STORY)